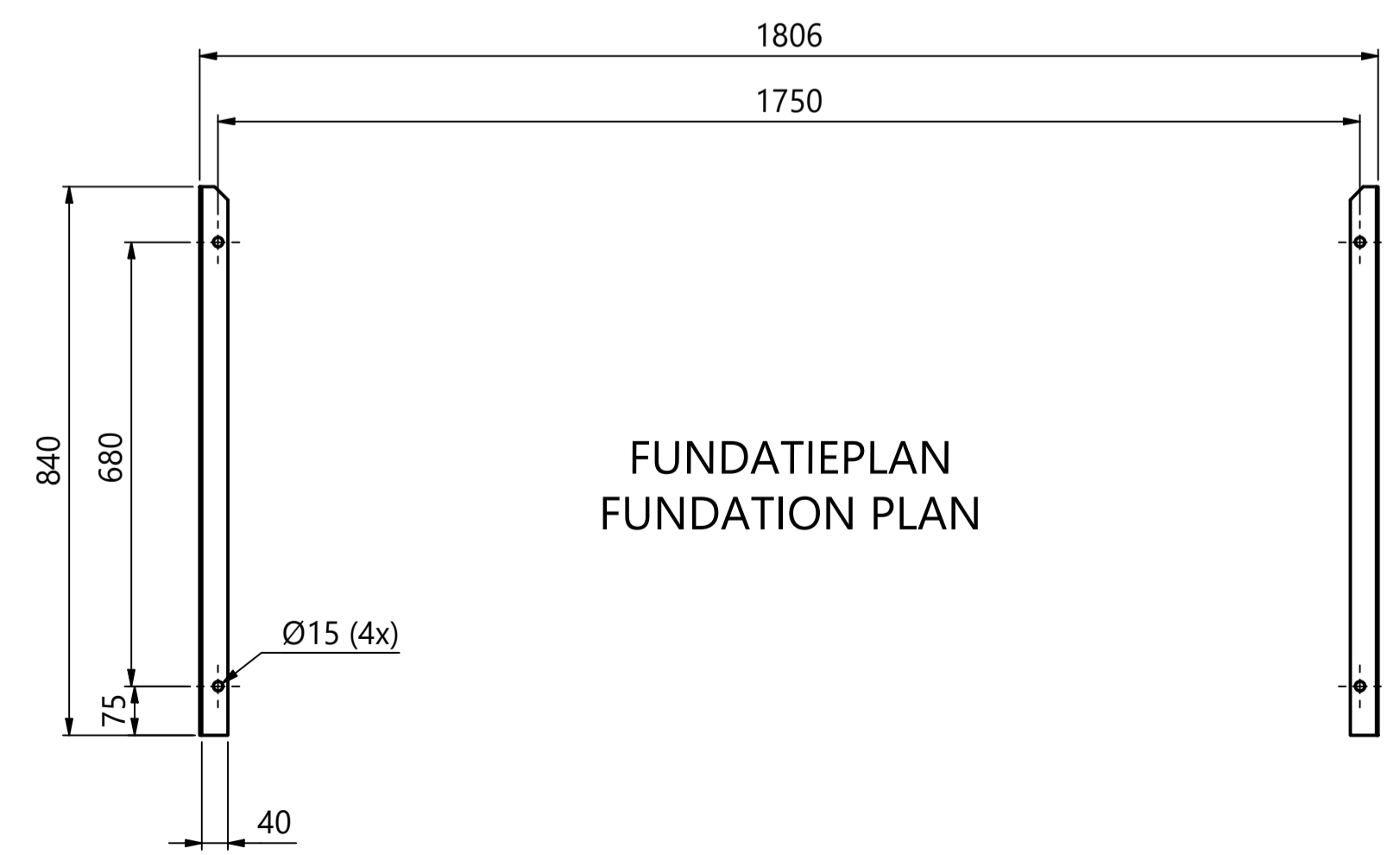


FLENZEN : GECOAT ALUMINIUM
 FLANGES : COATED ALUMINIUM



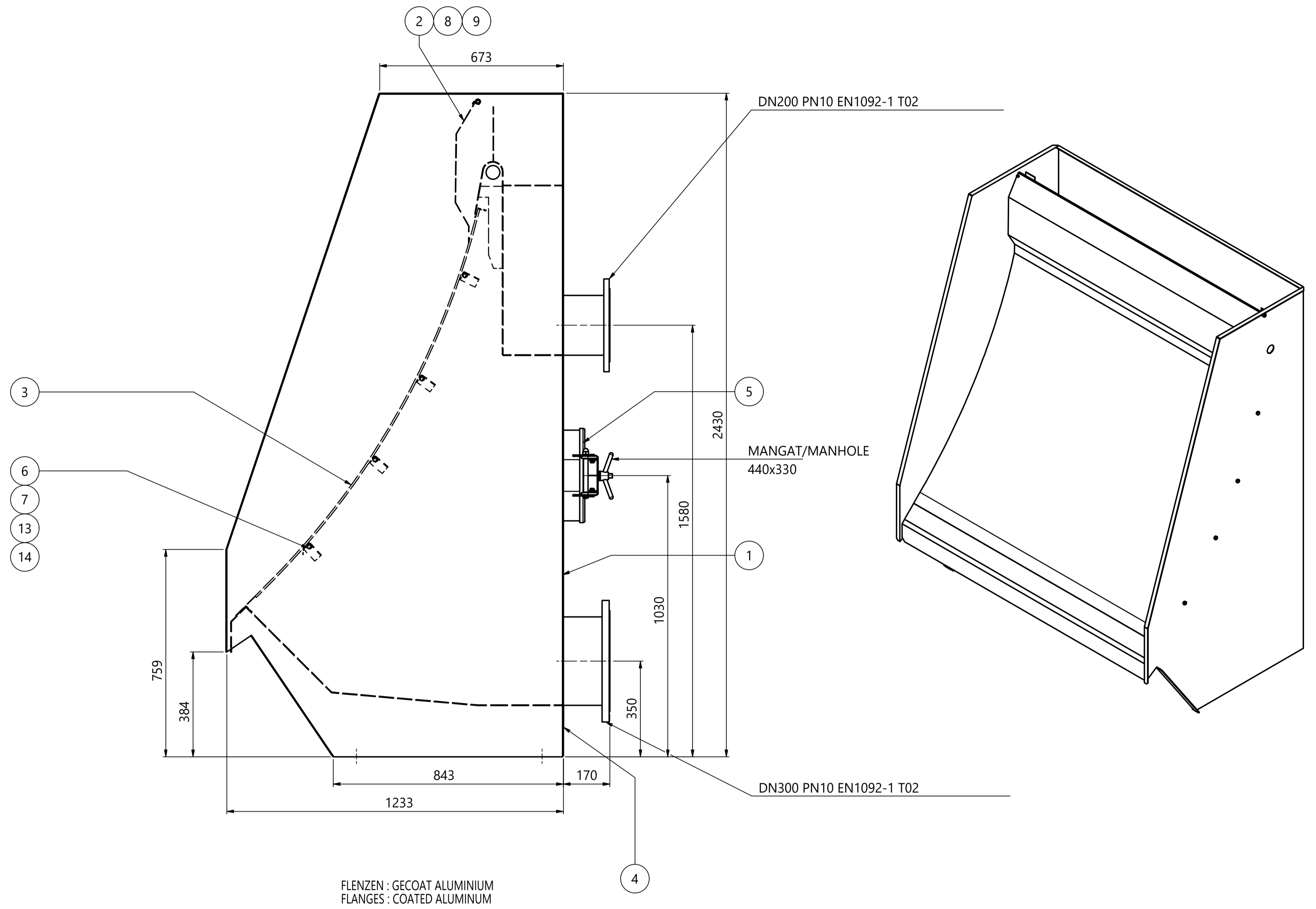
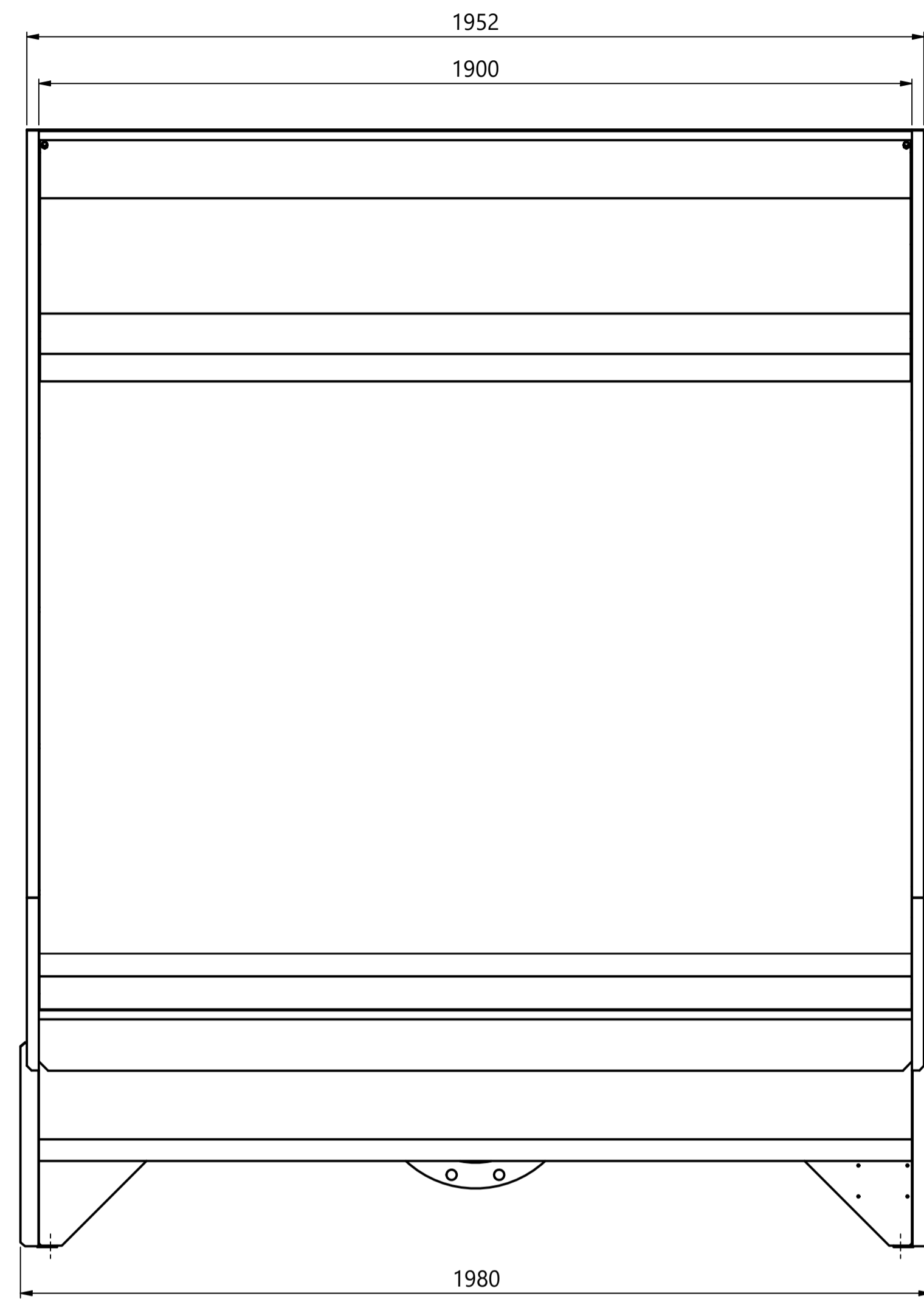
ITEM	QTY	PART NUMBER	MATERIAL	DESCRIPTION
14	8		A2	ZESKANTTAPBOUT M10x25 DIN933
13	4		AISI 304	ZEEFPLAAT ONDERSTEUNING 1800LBH
9	2		A2	ZESKANTTAPBOUT M6x20 DIN933
8	2		A2	VEERRING M6 DIN127
7	8		A2	VLAKKE SLUITRING M8 DIN125
6	8		PA6	DUBO BORGRING M8
5	2		EPDM	AFDICHTING INSPECTIELUIK
4	1		AISI 316	TYPE PLAAT
3	1		AISI 304	ZEEFPLAAT 1800LBM
2	1		AISI 304	BAFFLEPLAAT 1800LBM
1	1		AISI 304	CASCO 1800LBM

REKO
 REKO Industrial Equipment BV
 The Netherlands www.reko.com

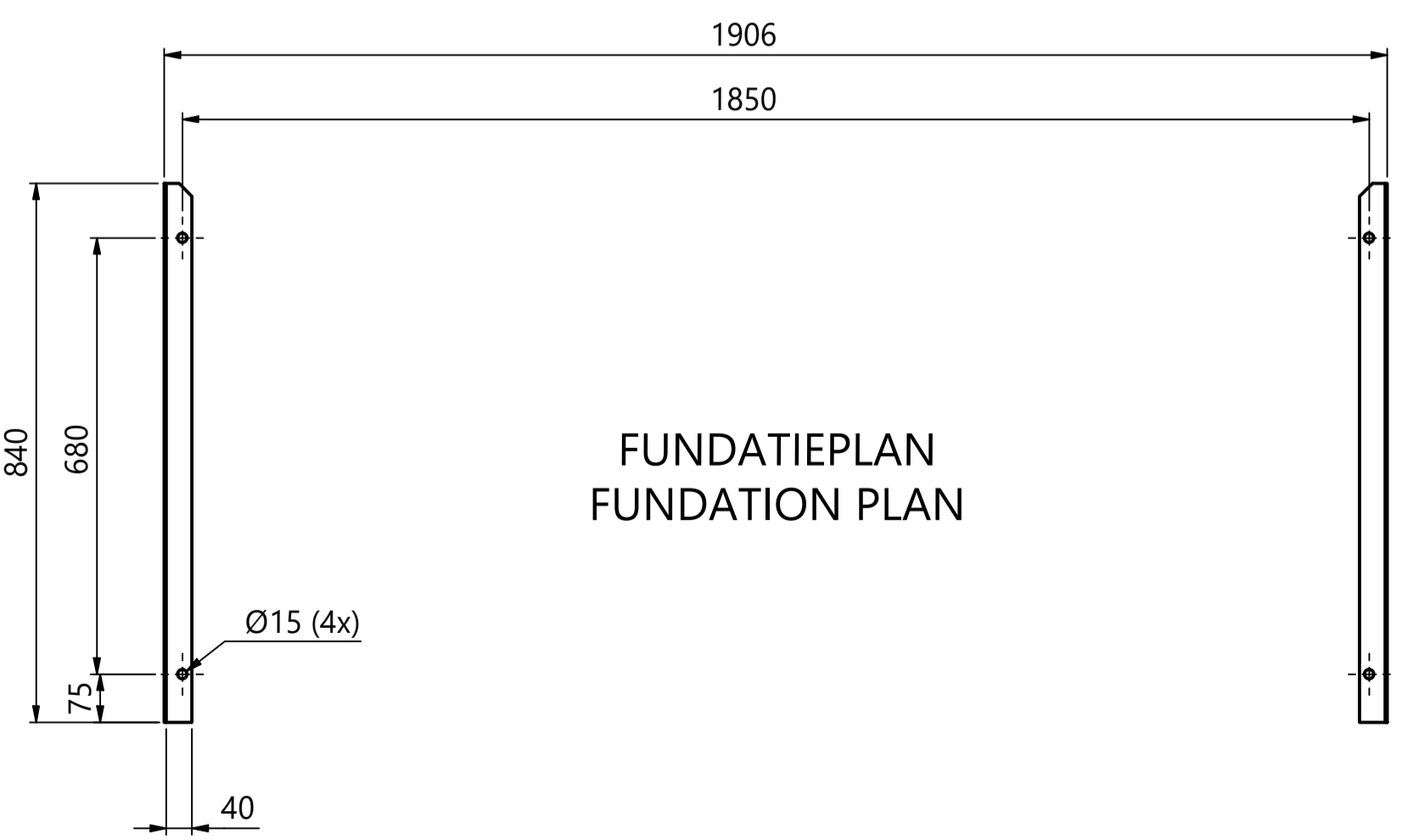
TITLE: ZEEFBOCHT/SCREEN 1800LBM
 MATERIAL:
 SCALE: 1:10 A1
 MASS: 440,41 kg
 CHECKED
 DRAWING NUMBER
LBM1800-1

GEN. DIM. TOLERANCES ACC. TO ISO 2768-mk
 WELDING TOLERANCES ACC. TO ISO 13920-AE
 SHARP EDGES REMOVED ACC. TO ISO 13715

© THIS DRAWING IS ISSUED BY REKO INDUSTRIAL EQUIPMENT BV SUBJECT TO THE CONDITIONS THAT IT IS NOT COPIED EITHER IN WHOLE OR IN PART OR DISCLOSED TO THIRD PARTIES UNLESS PRIOR WRITTEN AUTHORISATION IS GIVEN BY REKO INDUSTRIAL EQUIPMENT BV



FLENZEN : GECOAT ALUMINIUM
FLANGES : COATED ALUMINIUM



FUNDATIEPLAN
FOUNDATION PLAN

ITEM	QTY	PART NUMBER	MATERIAL	DESCRIPTION
14	8		A2	ZESKANTTAPBOUT M10x25 DIN933
13	4		AISI 304	ZEEFPLAAT ONDERSTEUNING 1900LBH
9	2		A2	ZESKANTTAPBOUT M6x20 DIN933
8	2		A2	VEERRING M6 DIN127
7	8		A2	VLAKKE SLUITRING M8 DIN125
6	8		PA6	DUBO BORGRING M8
5	2		EPDM	AFDICHTING INSPECTIELUIK
4	1		AISI 316	TYPE PLAAT
3	1		AISI 304	ZEEFPLAAT 1900LBM
2	1		AISI 304	BAFFLEPLAAT 1900LBM
1	1		AISI 304	CASCO 1900LBM

TITLE: ZEEFBOCHT/SCREEN 1900LBM		SCALE: 1:10		A1
MATERIAL:		MASS: 456,52 kg		CHECKED
REKO	REV 0	REV STATUS Released	DATE 01-08-22	BY SK
REKO Industrial Equipment BV The Netherlands www.reko.com				DRAWING NUMBER LBM1900-1
GEN. DIM. TOLERANCES ACC. TO ISO 2768-mk WELDING TOLERANCES ACC. TO ISO 13920-AE SHARP EDGES REMOVED ACC. TO ISO 13715		© THIS DRAWING IS ISSUED BY REKO INDUSTRIAL EQUIPMENT BV SUBJECT TO THE CONDITIONS THAT IT IS NOT COPIED EITHER IN WHOLE OR IN PART OR DISCLOSED TO THIRD PARTIES UNLESS PRIOR WRITTEN AUTHORISATION IS GIVEN BY REKO INDUSTRIAL EQUIPMENT BV		