

MANUAL

Differential pressure sensor type 692 Installing of the differential pressure sensor



Version: 2023-05

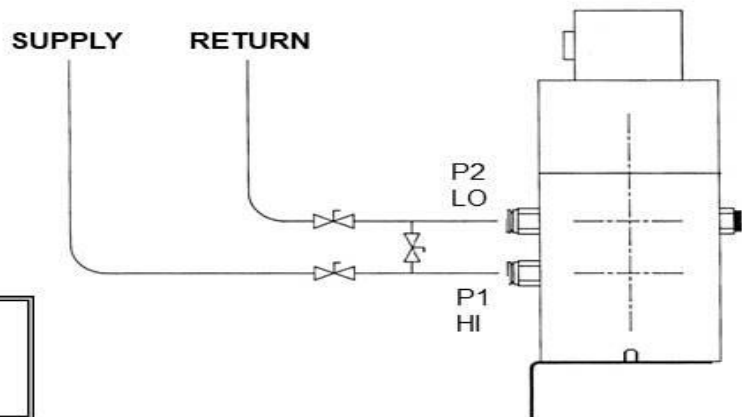
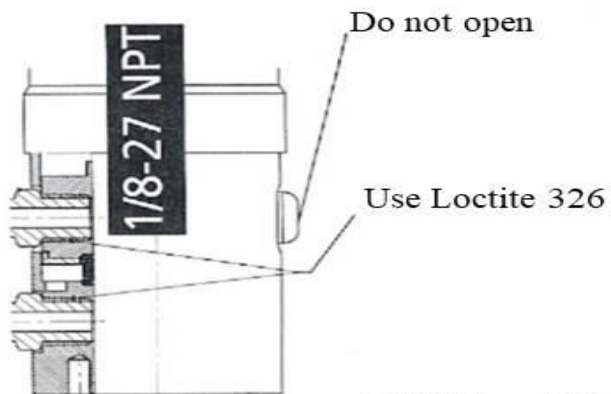
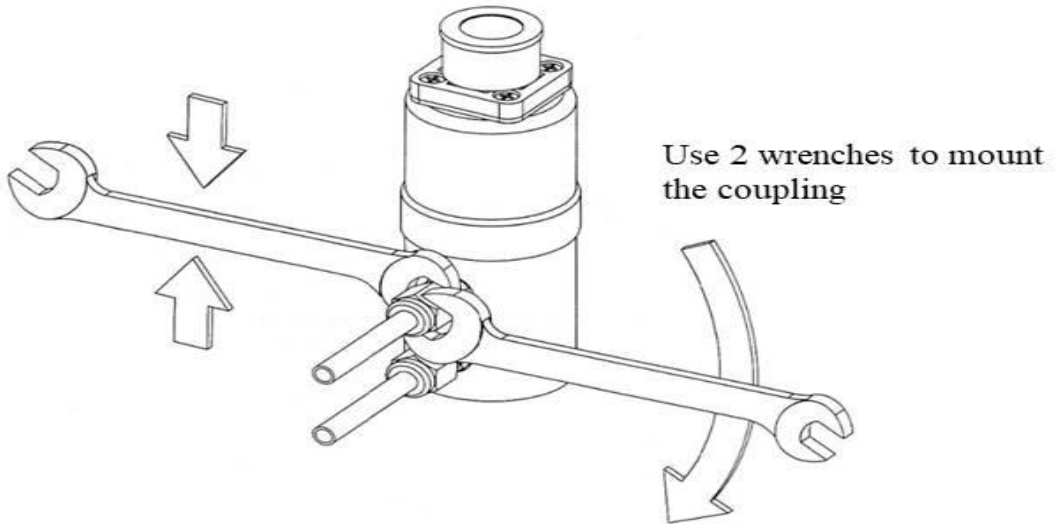
When installing the differential pressure sensor type 692, the following points must be observed:

1. The P1 is the high pressure side, the P2 the low pressure side.
2. The transducers are very sensitive to pressure waves, so great care must be taken during installation.
3. Do not mount the sensor in the installation earlier than necessary.
4. If the installation is not yet filled, do not mount the sensor.
5. Before mounting the sensor, make sure that the system pressure does not exceed the maximum allowable pressure of the sensor, see table.
6. If the transducer is connected with screw-in coupling, large forces will be exerted on the transducer, pay attention to the following points:
 - a. use two wrenches to tighten the couplings.
 - b. use Loctite 577 for the seal.
 - c. use flexible piping to avoid transferring the expansion forces to the transducer.
7. **After connecting, first short-circuit P1 and P2, then carefully open P1. Open P2, after which the short circuit between P1 and P2 can be closed again. The sensor is now in the installation.**
8. Closing the sensor is done in reverse order.
9. Before the sensor is electrically connected, check the equipment to which it will be connected whether it is suitable for this purpose (supply voltage, etc.).
10. The pressure transducer does not require calibration.

Note:

- The transducers are supplied with pre-assembled connections and restrictions.
- Due to the one-sided overpressure, the standard differential pressure sensors are supplied for a pressure of 0.5 bar.

Type	Overpressure
Differential pressure sensor 692 0...+0.5 bar	One-sided overpressure max. 3,0 bar
Differential pressure sensor 692 0...+0.6 bar	One-sided overpressure max. 3.0 bar
Differential pressure sensor 692 0...+1.6 bar	One-sided overpressure max. 10 bar



Attention: Housing and GND do not share a electrical connection



Aartsdijkweg 23, 2676 LE Maasdijk, The Netherlands
+31 174 51 50 50 · info@vanderendegroup.com · www.vanderendegroup.com