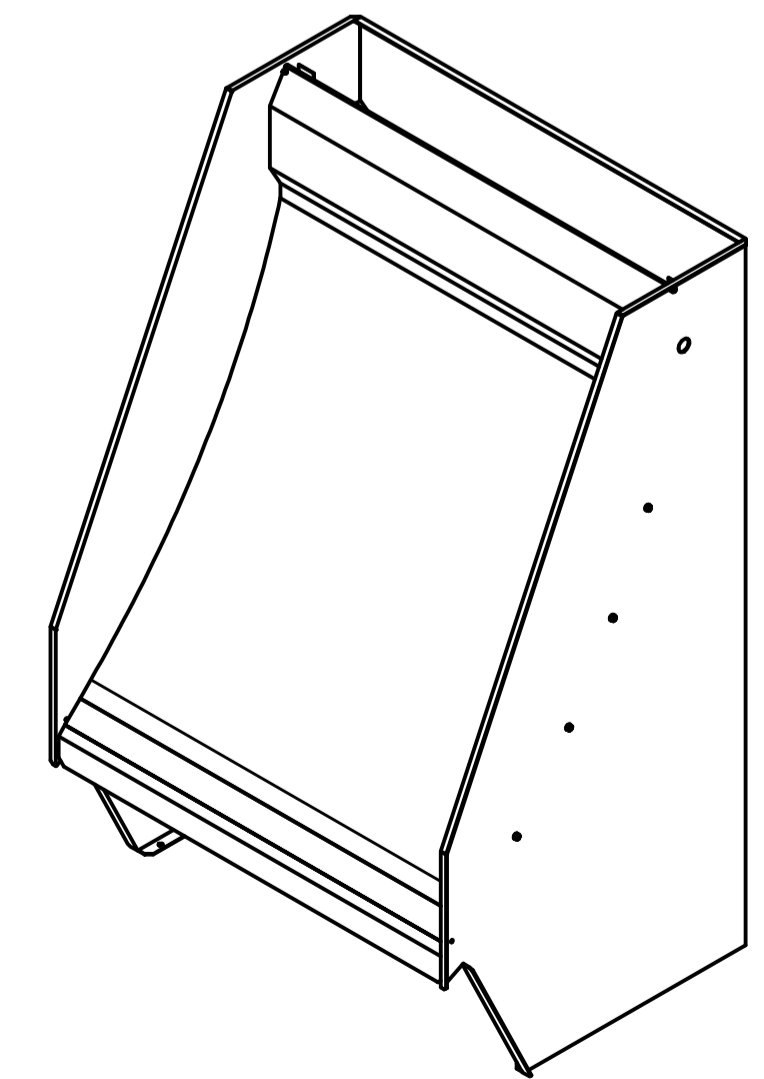
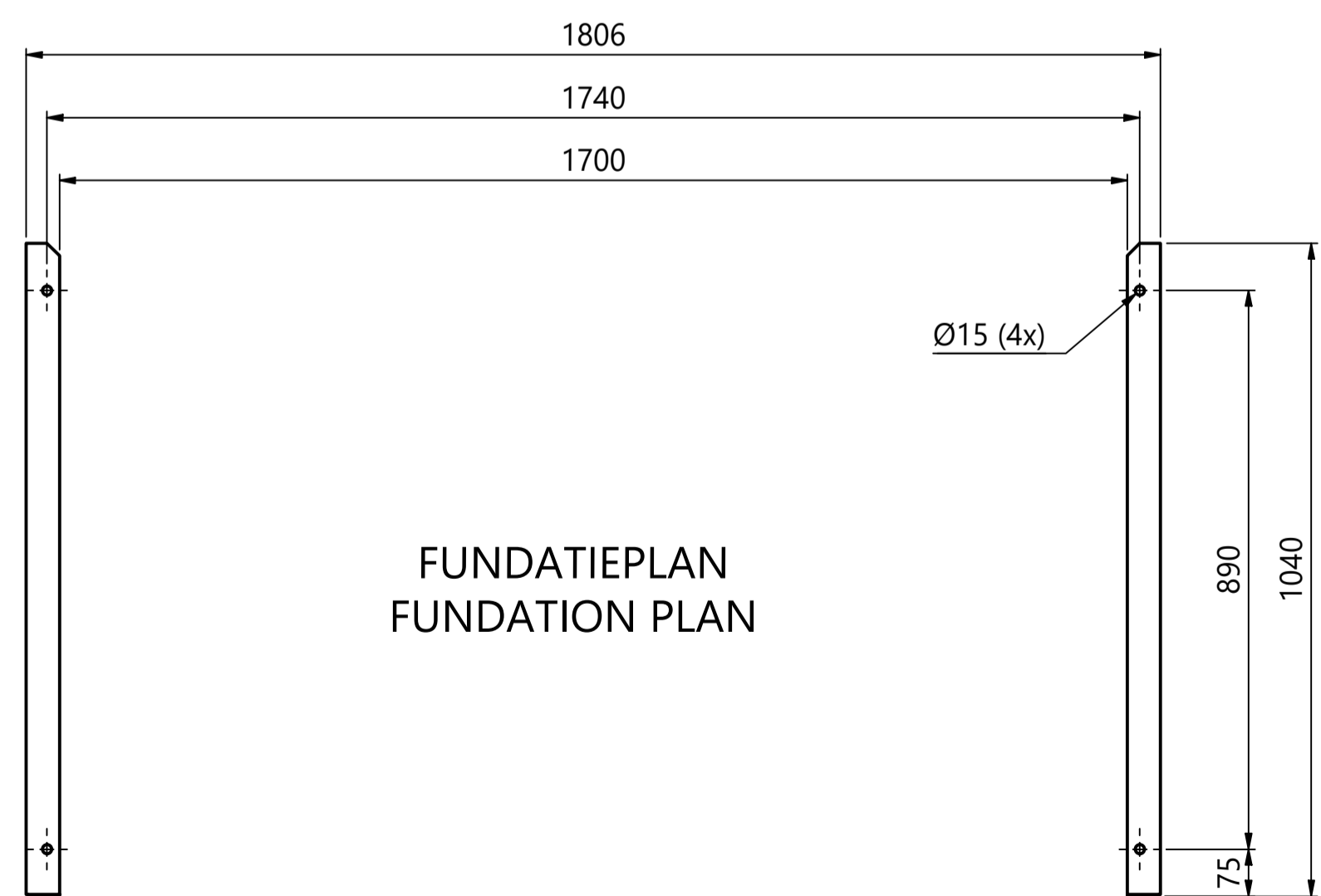
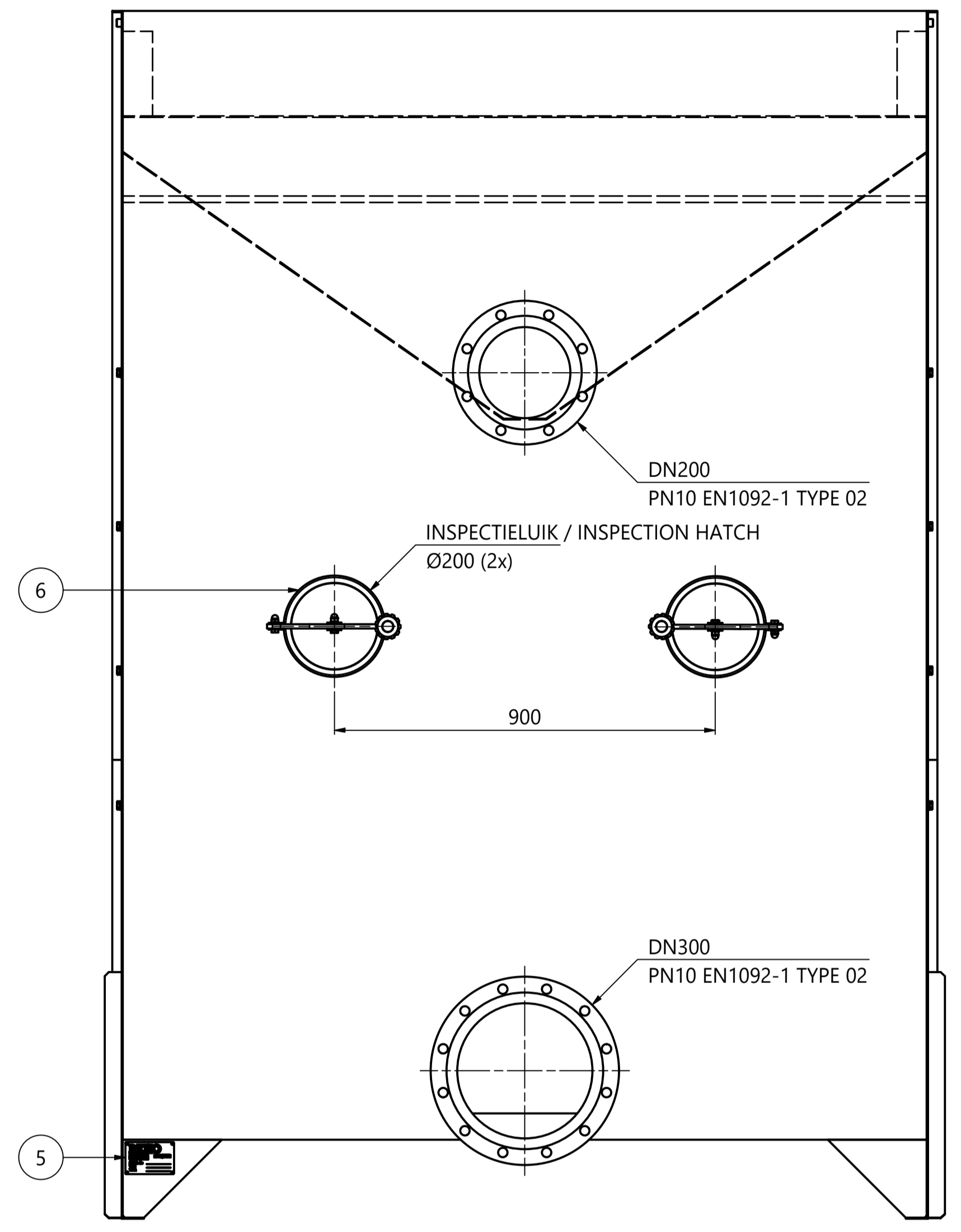
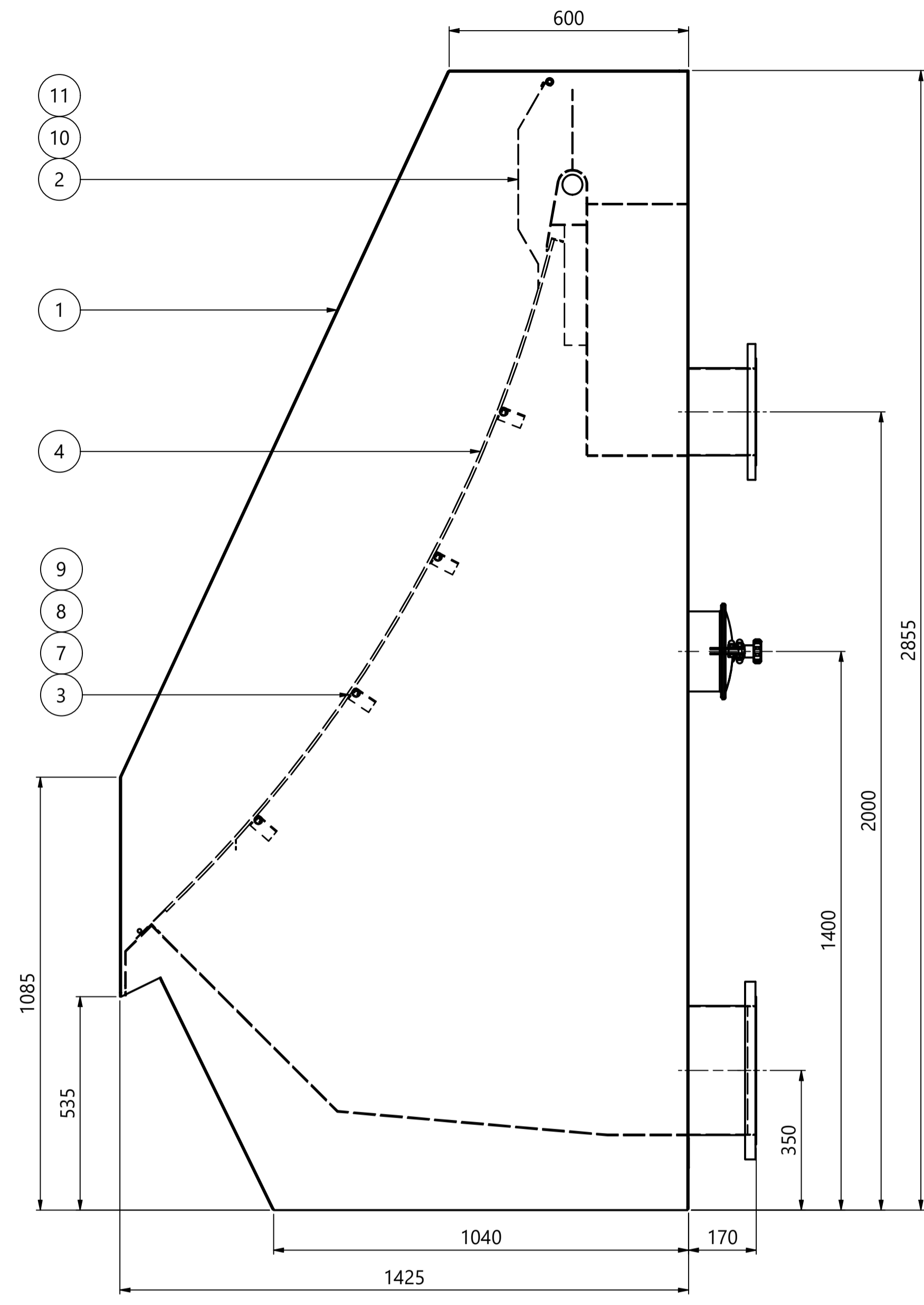
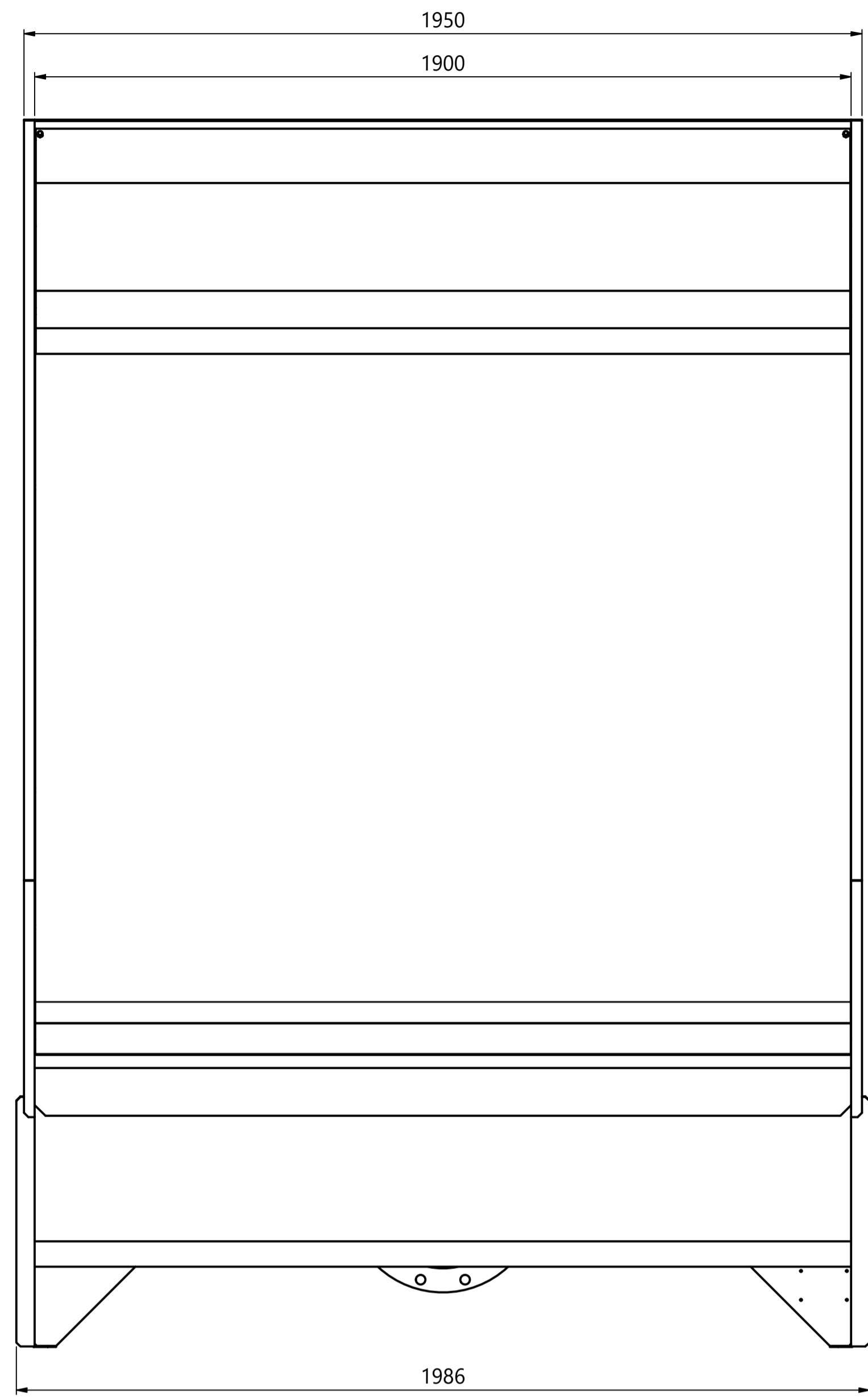


FLENZEN : GECOAT ALUMINIUM  
FLANGES : COATED ALUMINIUM

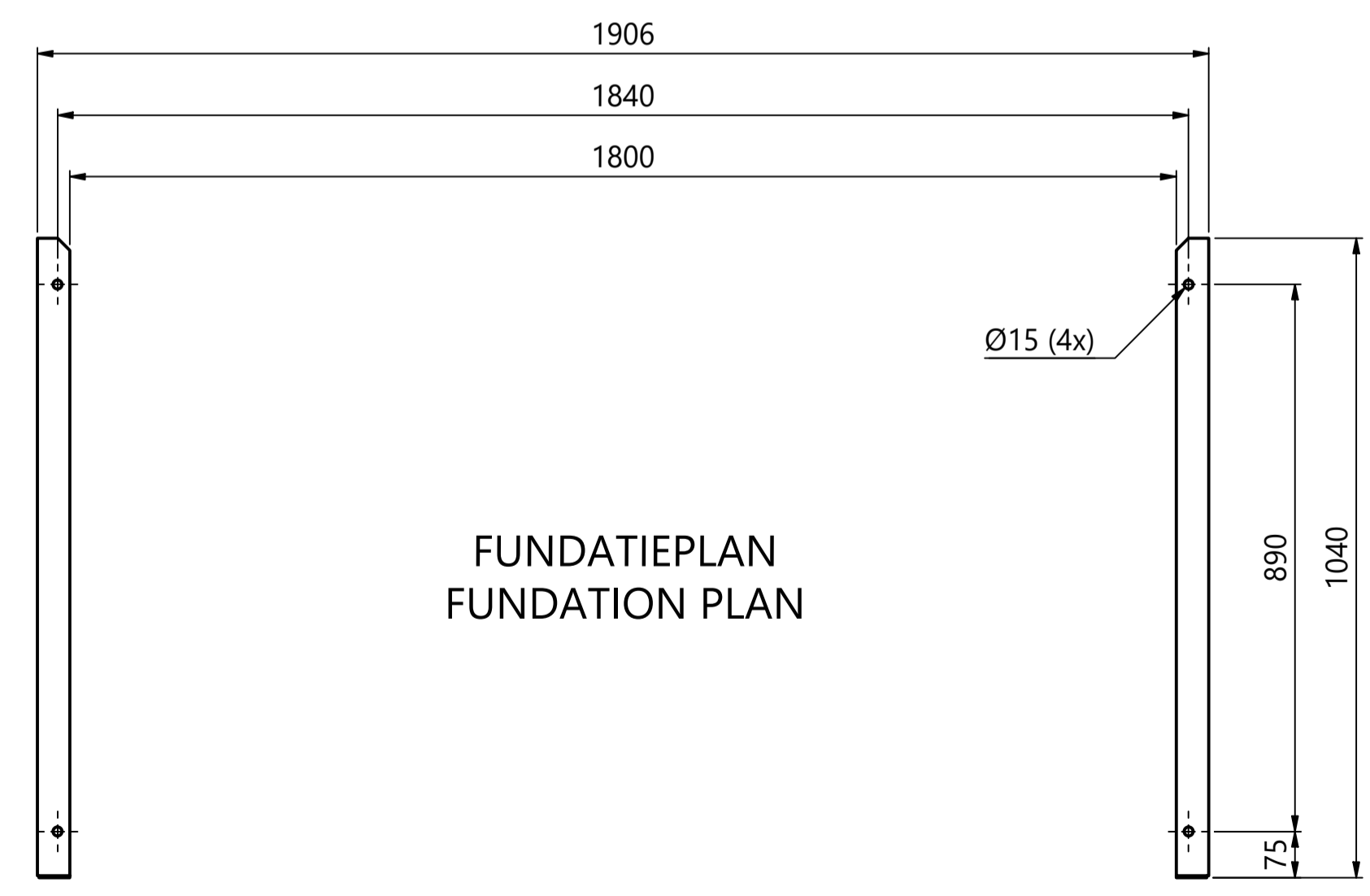


11	2	A2	ZESKANTTAPBOUT M6x25 DIN933	
10	2	A2	VEERRING M6 DIN127	
9	8	A2	ZESKANTTAPBOUT M10x25 DIN933	
8	8	A2	VLAKKE SLUITRING M10 DIN125	
7	8	PA6	DUBO BORGRING M10	
6	2	EPDM	AFDICHTING INSPECTIELUIK	
5	1	2REKKIG49-2	AISI 316 TYPE PLAAT	
4	1	LBH1800-Z	ZEEFPLAAT 1800LBH	
3	4	LBH1800-T	ZEEFPLAAT ONDERSTEUNING 1800LBH	
2	1	LBH1800-B	BAFFLEPLAAT 1800LBH	
1	1	LBH1800-1A	CASCO 1800LBH	
ITEM	QTY	PART NUMBER	MATERIAL	DESCRIPTION

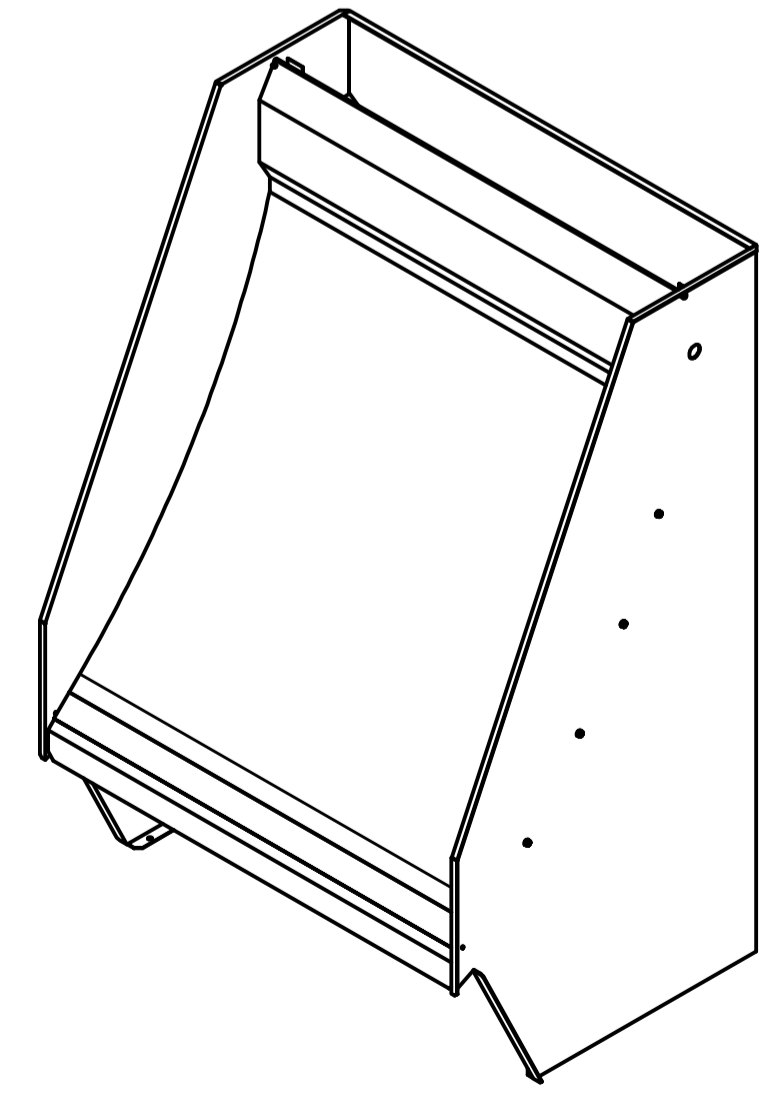
TITLE: ZEEFBOCHT/SCREEN 1800LBH		SCALE: 1:10	A1		
MATERIAL:		MASS: 507,61 kg			
	REV	REV STATUS	DATE	BY	CHECKED
	0	Released	01-08-22	SK	
DRAWING NUMBER				LBH1800-1	
<small>GEN. DIM. TOLERANCES ACC. TO ISO 2768-mk WELDING TOLERANCES ACC. TO ISO 13920-AE SHARP EDGES REMOVED ACC. TO ISO 13715</small>		<small>© THIS DRAWING IS ISSUED BY REKO INDUSTRIAL EQUIPMENT BV SUBJECT TO THE CONDITIONS THAT IT IS NOT COPIED EITHER IN WHOLE OR IN PART OR DISCLOSED TO THIRD PARTIES UNLESS PRIOR WRITTEN AUTHORISATION IS GIVEN BY REKO INDUSTRIAL EQUIPMENT BV</small>			



FLENZEN : GECOAT ALUMINIUM  
FLANGES : COATED ALUMINIUM



FUNDATIEPLAN  
FOUNDATION PLAN



ITEM	QTY	PART NUMBER	MATERIAL	DESCRIPTION
11	2		A2	ZESKANTTAPBOUT M6x25 DIN933
10	2		A2	VEERRING M6 DIN127
9	8		A2	ZESKANTTAPBOUT M10x25 DIN933
8	8		A2	VLAKKE SLUITRING M10 DIN125
7	8		PA6	DUBO BORGRING M10
6	2		EPDM	AFDICHTING INSPECTIELUIK
5	1	2REKKIG49-2	AISI 316	TYPE PLAAT
4	1	LBH1900-Z	AISI 304	ZEEFPLAAT 1900LBH
3	4	LBH1900-T	AISI 304	ZEEFPLAAT ONDERSTEUNING 1900LBH
2	1	LBH1900-B	AISI 304	BAFFLEPLAAT 1900LBH
1	1	LBH1900-A	AISI 304	CASCO 1900LBH

TITLE: ZEEFBOCHT/SCREEN 1900LBH				SCALE: 1:10	A1
MATERIAL:				MASS: 525.54 kg	
	REV	REV STATUS	DATE	BY	CHECKED
	0	Released	28-06-18	AvO	
DRAWING NUMBER				LBH1900-1	

GEN. DIM. TOLERANCES ACC. TO ISO 2768-mk  
WELDING TOLERANCES ACC. TO ISO 13920-AE  
SHARP EDGES REMOVED ACC. TO ISO 13715

© THIS DRAWING IS ISSUED BY REKO INDUSTRIAL EQUIPMENT BV SUBJECT TO THE CONDITIONS THAT IT IS NOT COPIED EITHER IN WHOLE OR IN PART OR DISCLOSED TO THIRD PARTIES UNLESS PRIOR WRITTEN AUTHORISATION IS GIVEN BY REKO INDUSTRIAL EQUIPMENT BV