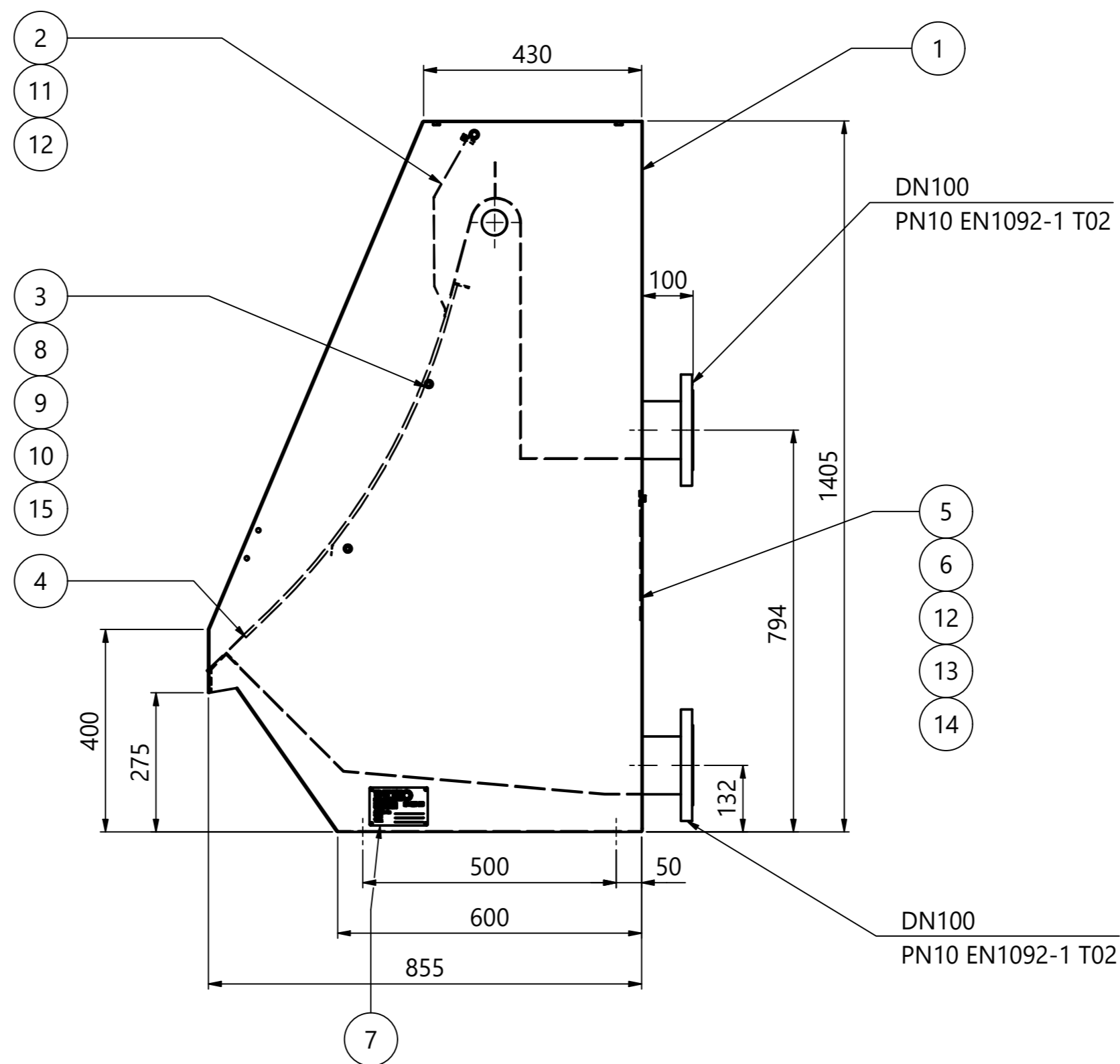
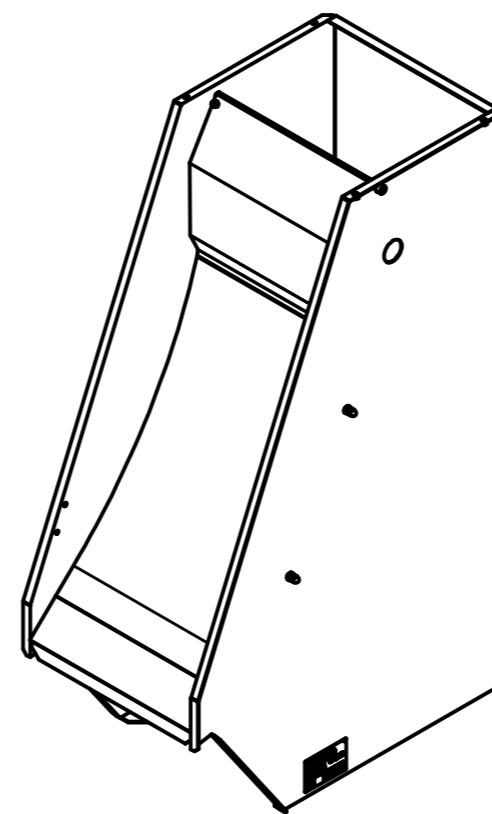


FUNDATIEPLAN  
FOUNDATION PLAN



FLENZEN : GECOAT ALUMINIUM  
FLANGES : COATED ALUMINIUM

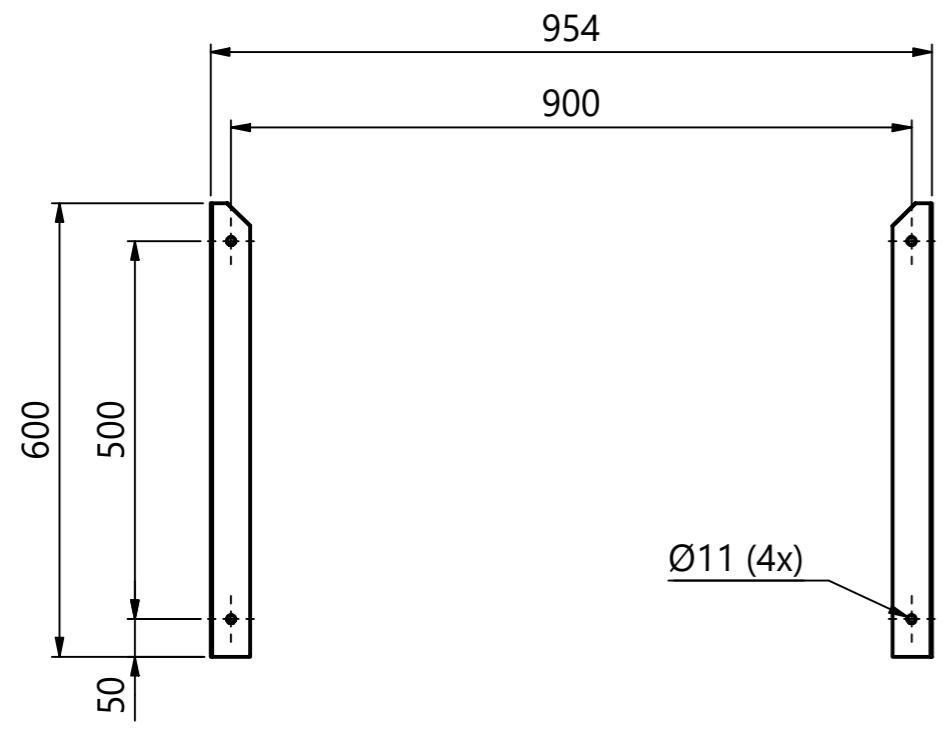
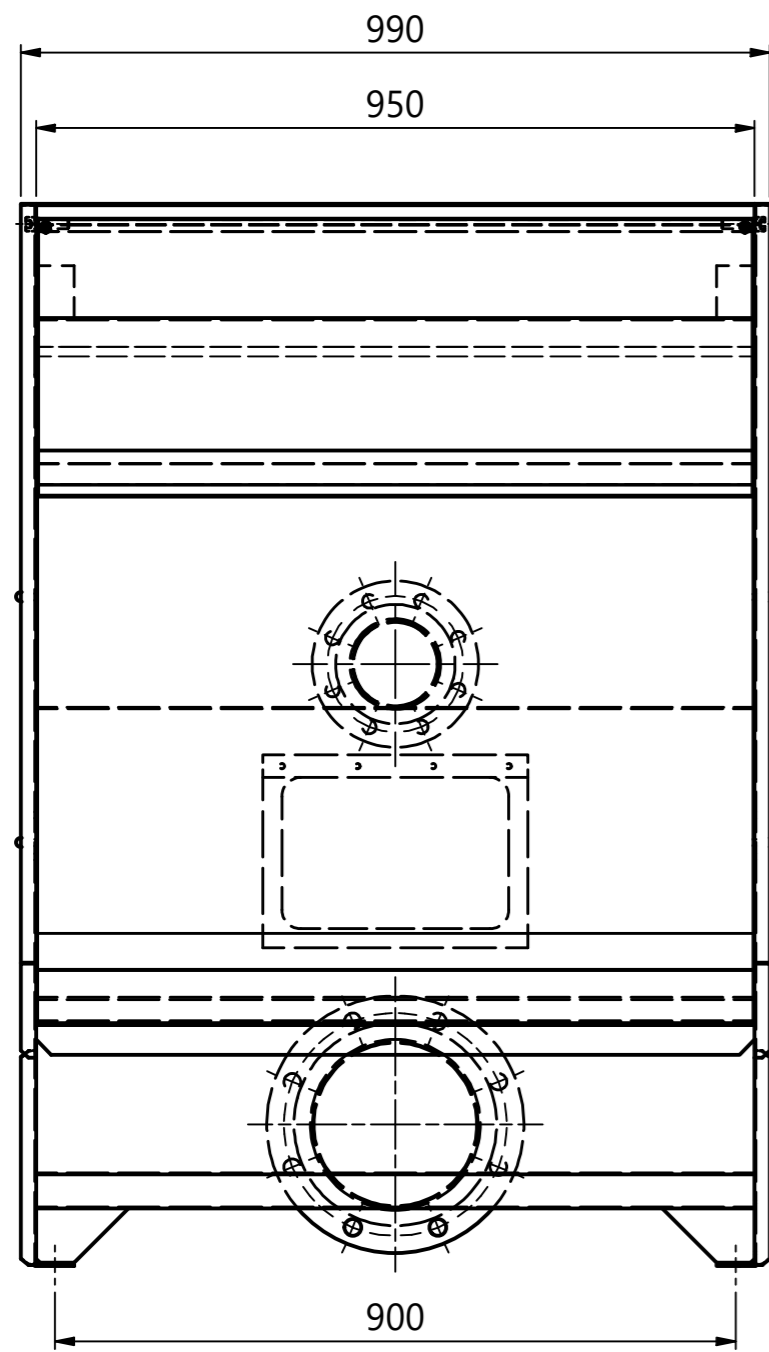


15	4		PA6	DUBO BORGRING M8
14	4		A2	ZESKANTMOER M6 DIN934
13	8		A2	VLAKKE SLUITRING M6 DIN125
12	6		A2	VEERRING M6 DIN127
11	6		A2	ZESKANTTAPBOUW M6x22 DIN933
10	4		A2	HOGE DOPMOER M8 DIN1587
9	4		A2	ZESKANTMOER M8 DIN934
8	4		A2	VLAKKE SLUITRING M8 DIN125
7	1	2REKKIG49-2	AISI 316	TYPE PLAAT
6	1	TS0000-AF	EPDM	FLAP
5	1	TS0000-AE	AISI 304	MONTAGESTRIP
4	1	TS0500-Z	AISI 304	ZEEFPLAAT 500TS
3	2	TS0500-T	AISI 304	TREKSTANG
2	1	TS0500-B	AISI 304	BAFFLEPLAAT 500TS
1	1	VDE0500-A	AISI 304	CASCO
ITEM	QTY	PART NUMBER	MATERIAL	DESCRIPTION

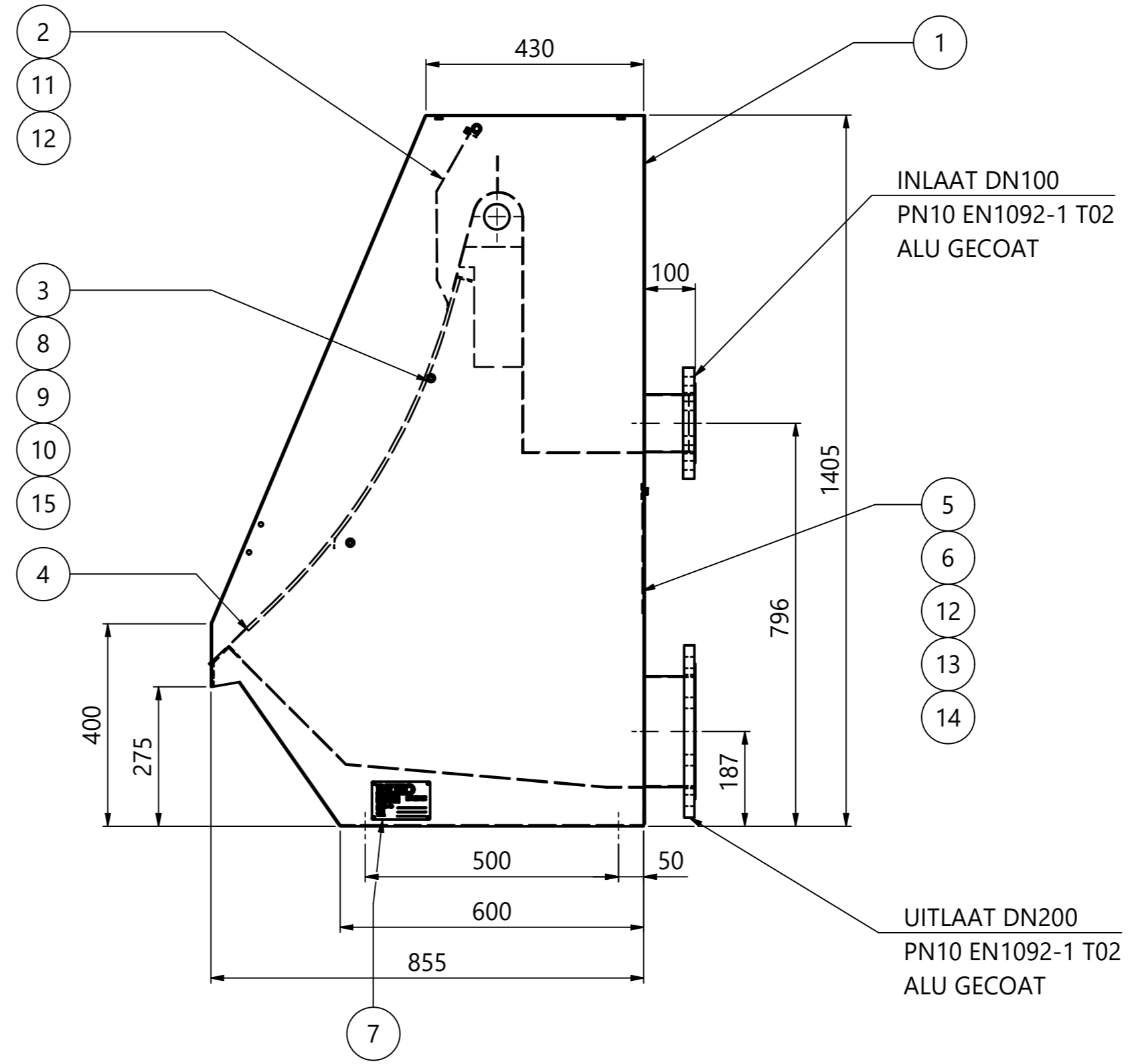
		TITLE: ZEEFBOCHT/SCREEN 500TS			SCALE: 1 : 10	A2
		MATERIAL:			MASS: 71.05 kg	
		REV	REV STATUS	DATE	BY	CHECKED
		0	Released	18-07-19	SK	
		1	Released	01-08-22	SK	DRAWING NUMBER
						VDE0500-1

GEN. DIM. TOLERANCES ACC. TO ISO 2768-mk  
WELDING TOLERANCES ACC. TO ISO 13920-AE  
SHARP EDGES REMOVED ACC. TO ISO 13715

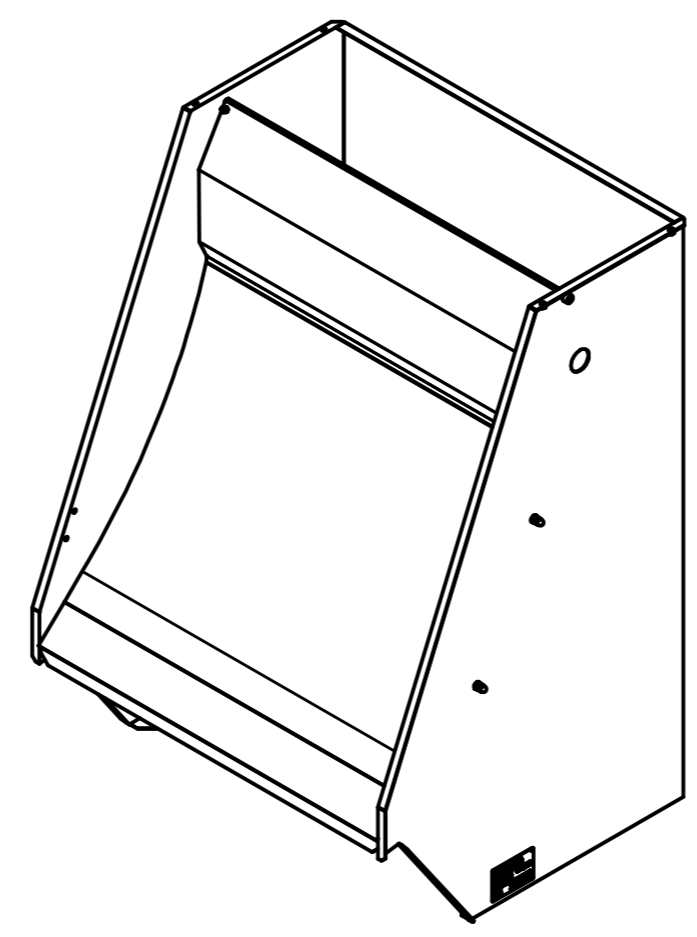
© THIS DRAWING IS ISSUED BY REKO INDUSTRIAL EQUIPMENT BV SUBJECT TO THE CONDITIONS THAT IT IS NOT COPIED EITHER IN WHOLE OR IN PART OR DISCLOSED TO THIRD PARTIES UNLESS PRIOR WRITTEN AUTHORISATION IS GIVEN BY REKO INDUSTRIAL EQUIPMENT BV



FUNDATIEPLAN  
FOUNDATION PLAN



FLENZEN : GEKOAT ALUMINIUM  
FLANGES : COATED ALUMINIUM

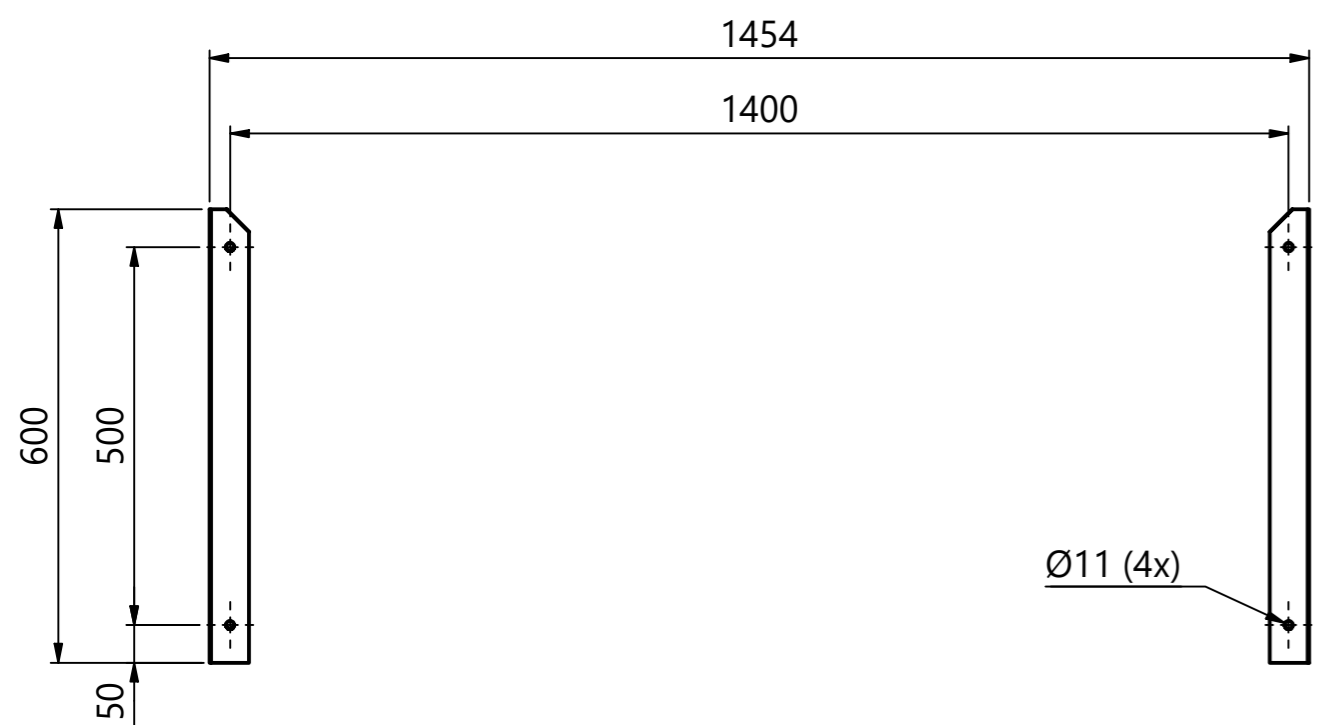
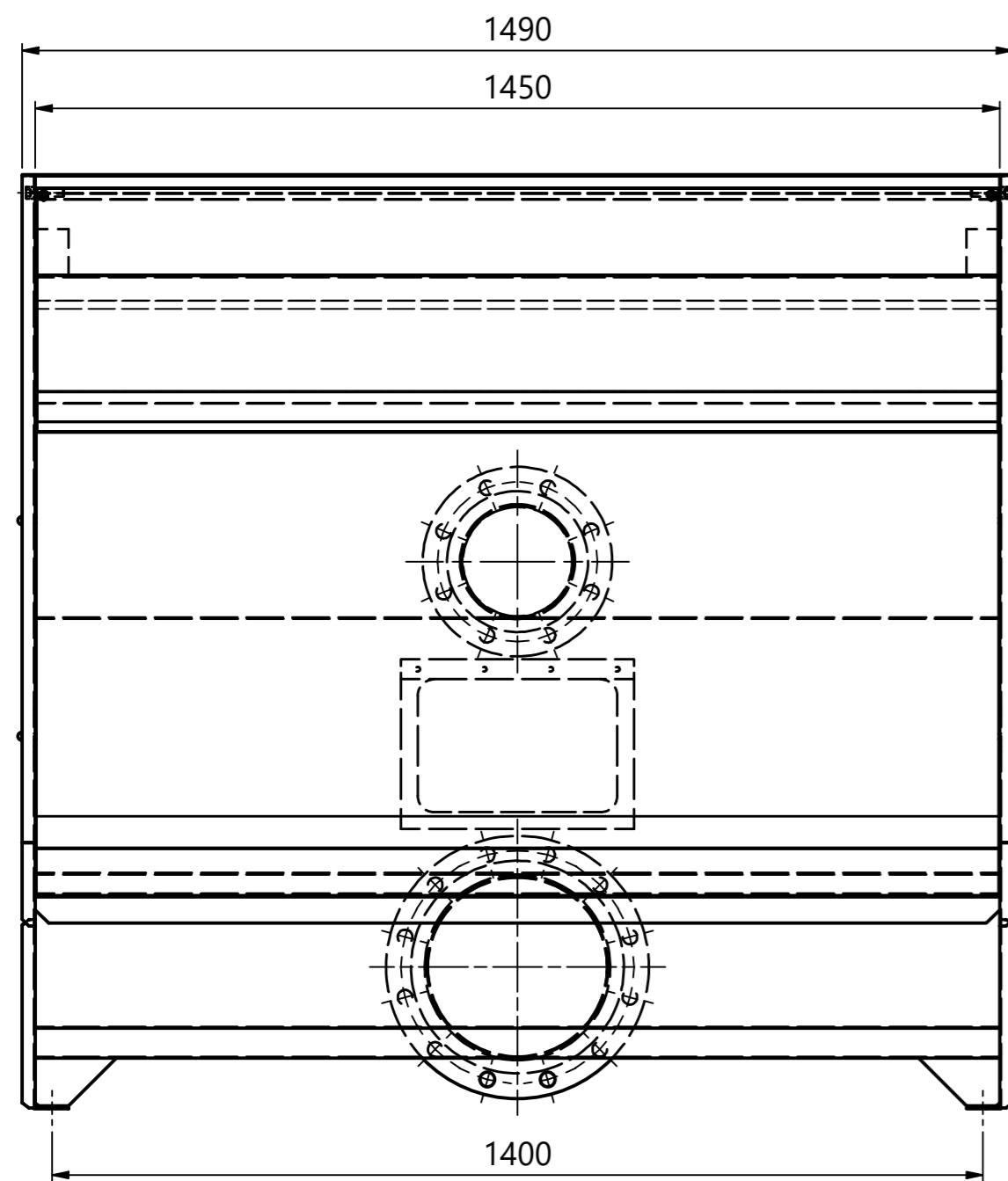


ITEM	QTY	PART NUMBER	MATERIAL	DESCRIPTION
15	4		PA6	DUBO BORGRING M8
14	4		A2	ZESKANTMOER M6 DIN934
13	8		A2	VLAKKE SLUITRING M6 DIN125
12	6		A2	VEERRING M6 DIN127
11	6		A2	ZESKANTTAPBOUW M6x22 DIN933
10	4		A2	HOGE DOPMOER M8 DIN1587
9	4		A2	ZESKANTMOER M8 DIN934
8	4		A2	VLAKKE SLUITRING M8 DIN125
7	1	2REKKIG49-2	AISI 316	TYPE PLAAT
6	1	TS0000-AF	EPDM	FLAP
5	1	TS0000-AE	AISI 304	MONTAGESTRIP
4	1	TS1000-Z	AISI 304	ZEEFPLAAT 1000TS
3	2	TS1000-T	AISI 304	TREKSTANG
2	1	TS1000-B	AISI 304	BAFFLEPLAAT
1	1	VDE1000-A	AISI 304	CASCO

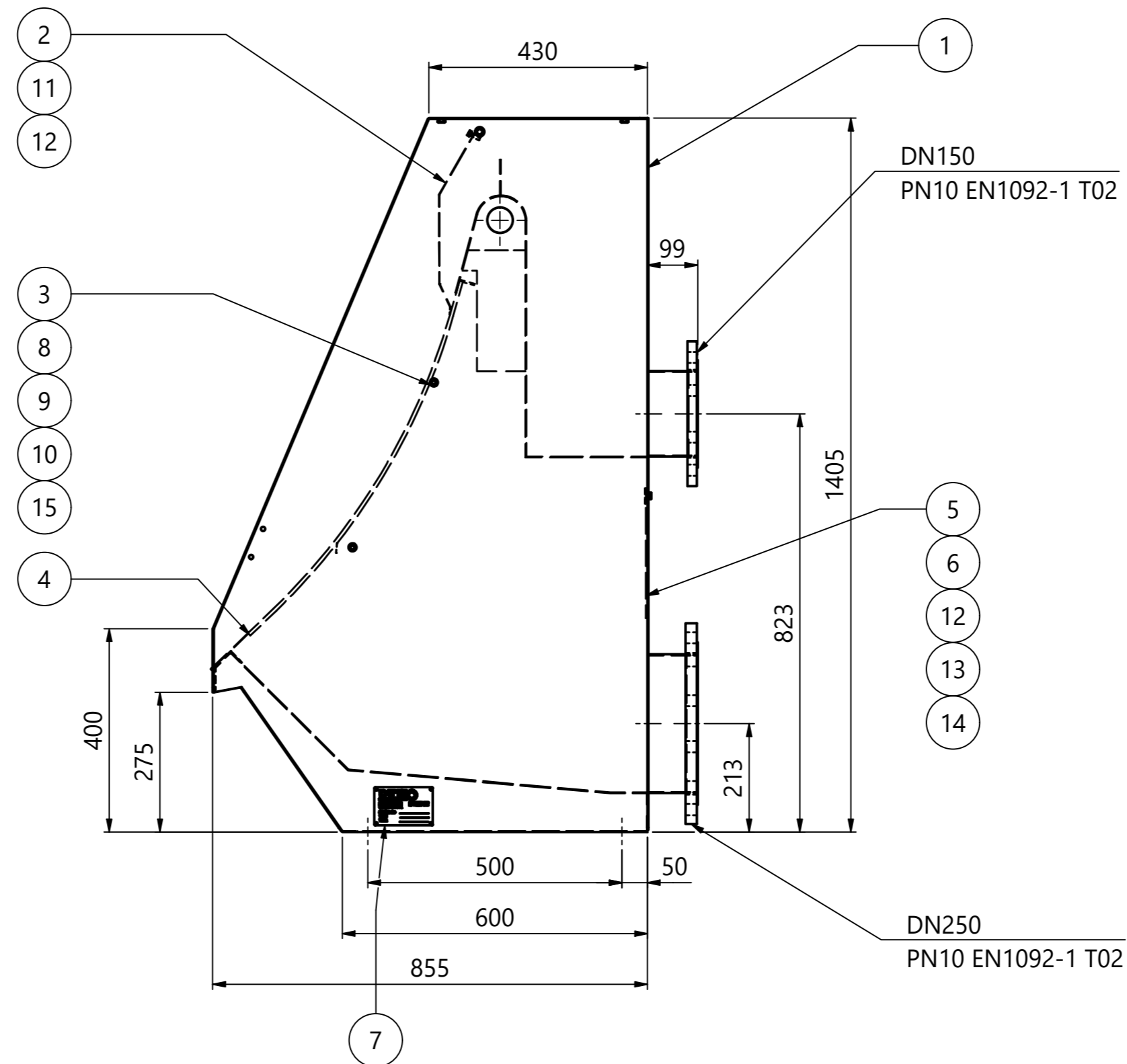
		TITLE: ZEEFBOCHT/SCREEN 1000TS			SCALE: 1 : 10	A2
		MATERIAL:			MASS: 110,16 kg	
		REV	REV STATUS	DATE	BY	CHECKED
		0	Released	18-07-19	SK	
		1	Released	01-08-22	SK	DRAWING NUMBER
						VDE1000-1

GEN. DIM. TOLERANCES ACC. TO ISO 2768-mk  
WELDING TOLERANCES ACC. TO ISO 13920-AE  
SHARP EDGES REMOVED ACC. TO ISO 13715

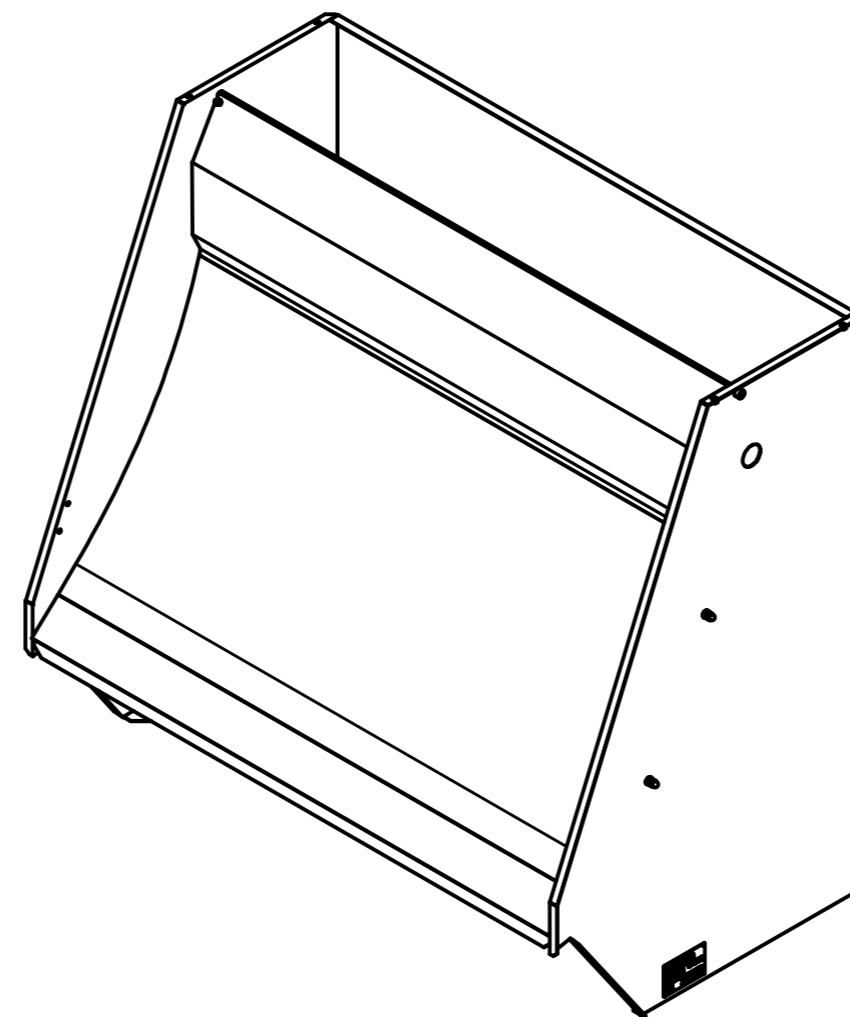
© THIS DRAWING IS ISSUED BY REKO INDUSTRIAL EQUIPMENT BV SUBJECT TO THE CONDITIONS THAT IT IS NOT COPIED EITHER IN WHOLE OR IN PART OR DISCLOSED TO THIRD PARTIES UNLESS PRIOR WRITTEN AUTHORISATION IS GIVEN BY REKO INDUSTRIAL EQUIPMENT BV



FUNDATIEPLAN  
FOUNDATION PLAN



FLENZEN : GECOAT ALUMINIUM  
FLANGES : COATED ALUMINIUM



15	4		PA6	DUBO BORGRING M8
14	4		A2	ZESKANTMOER M6 DIN934
13	8		A2	VLAKKE SLUITRING M6 DIN125
12	6		A2	VEERRING M6 DIN127
11	6		A2	ZESKANTTAPBOUW M6x22 DIN933
10	4		A2	HOGE DOPMOER M8 DIN1587
9	4		A2	ZESKANTMOER M8 DIN934
8	4		A2	VLAKKE SLUITRING M8 DIN125
7	1	2REKKIG49-2	AISI 316	TYPE PLAAT
6	1	TS0000-AF	EPDM	FLAP
5	1	TS0000-AE	AISI 304	MONTAGESTRIP
4	1	TS1500-Z	AISI 304	ZEEFPLAAT 1500TS
3	2	TS1500-T	AISI 304	TREKSTANG
2	1	TS1500-B	AISI 304	BAFFLEPLAAT
1	1	VDE1500-A	AISI 304	CASCO

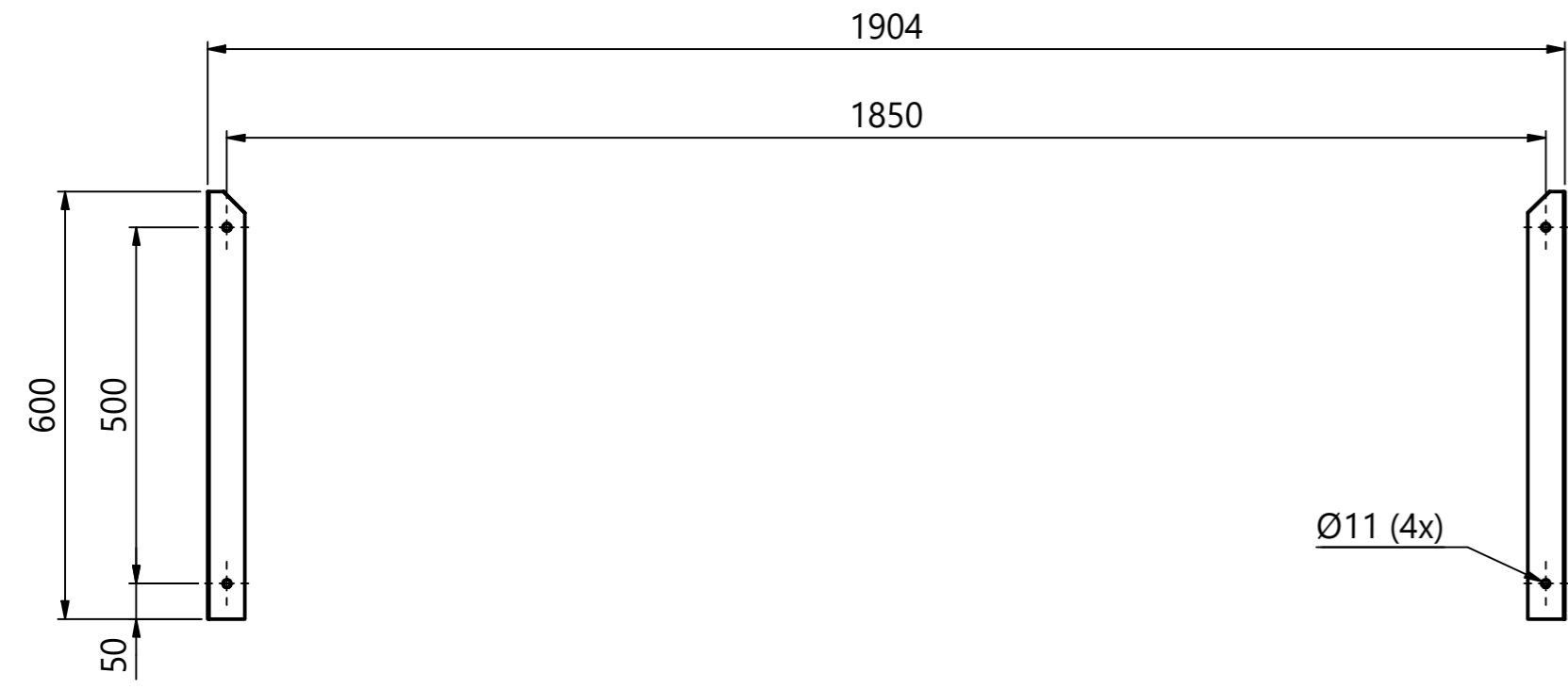
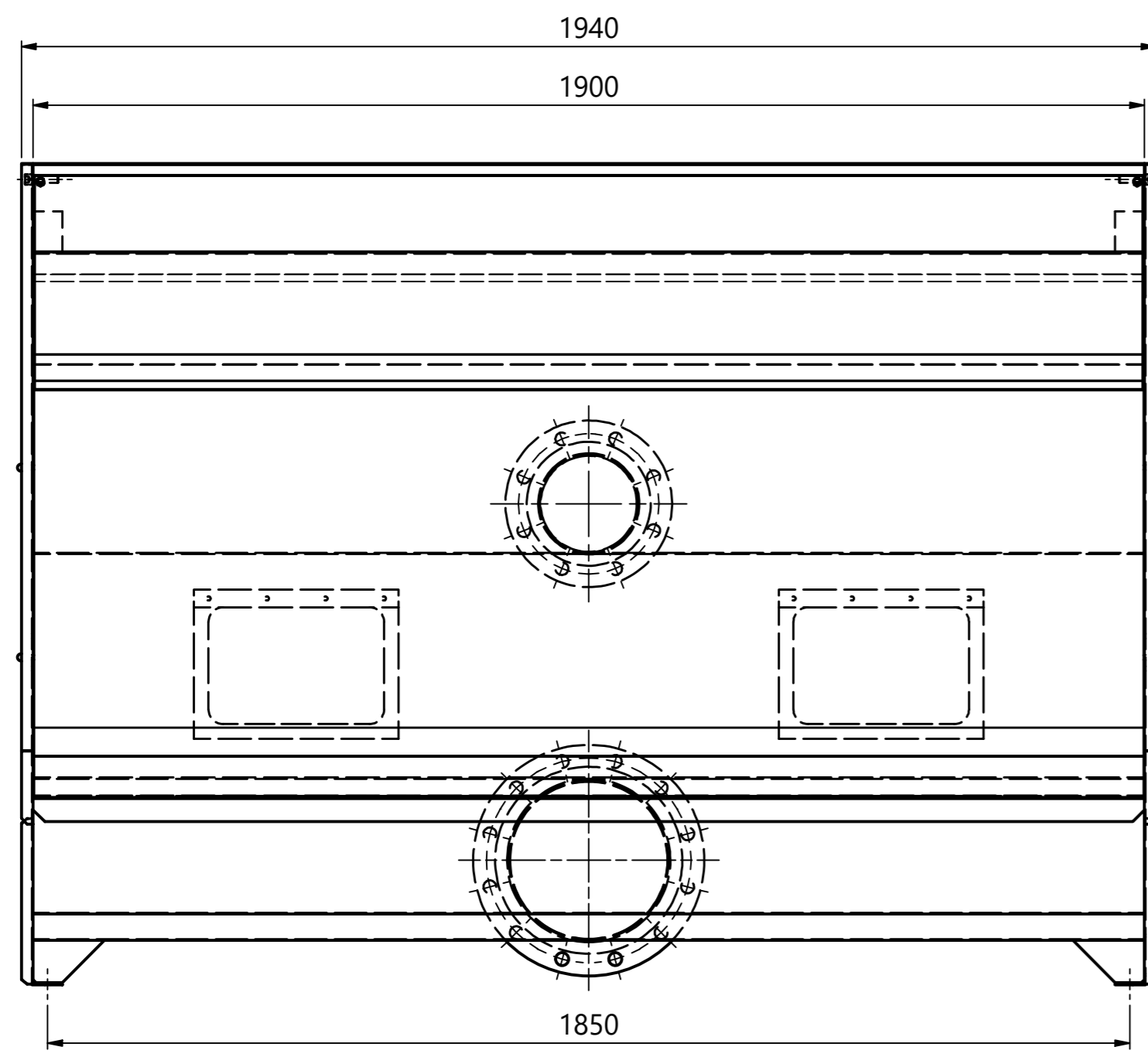
ITEM	QTY	PART NUMBER	MATERIAL	DESCRIPTION
------	-----	-------------	----------	-------------

	TITLE: ZEEFBOCHT/SCREEN 1500TS			SCALE: 1 : 10	A2
	MATERIAL:			MASS: 150,37 kg	

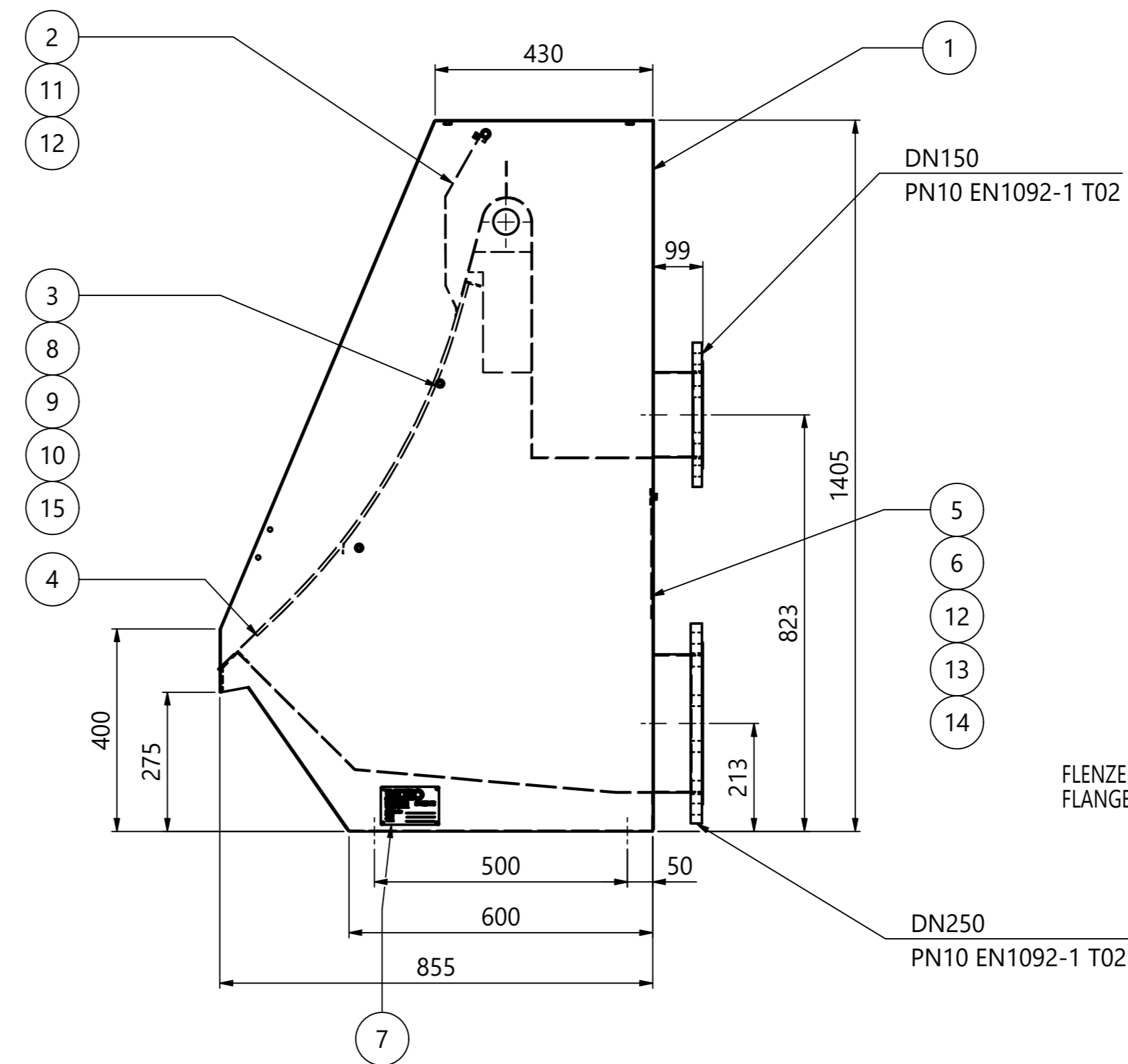
 REKO Industrial Equipment BV The Netherlands www.reko.com	REV	REV STATUS	DATE	BY	CHECKED
	0	Released	18-07-19	SK	
	1	Released	01-08-22	SK	DRAWING NUMBER
					<b>VDE1500-1</b>

GEN. DIM. TOLERANCES ACC. TO ISO 2768-mk  
WELDING TOLERANCES ACC. TO ISO 13920-AE  
SHARP EDGES REMOVED ACC. TO ISO 13715

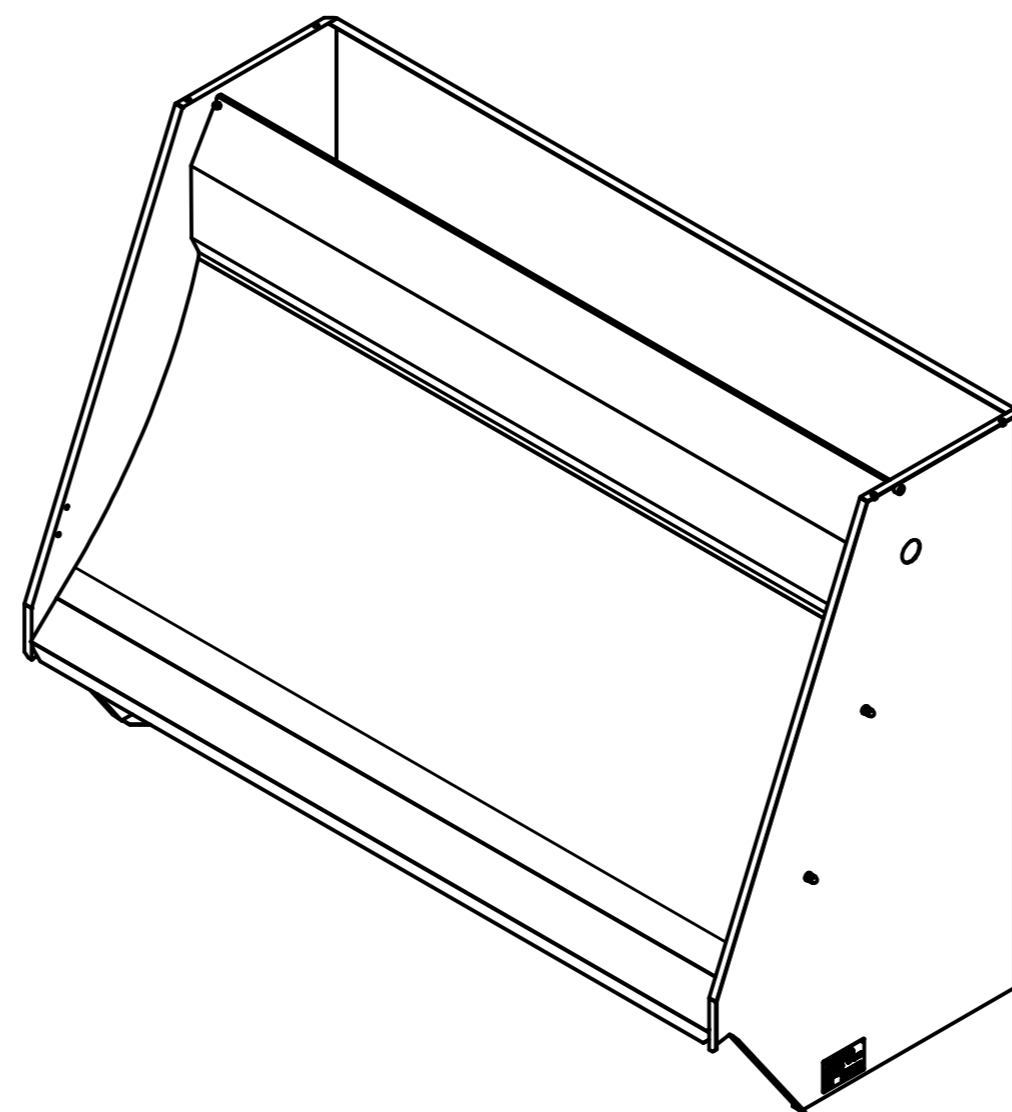
© THIS DRAWING IS ISSUED BY REKO INDUSTRIAL EQUIPMENT BV SUBJECT TO THE CONDITIONS THAT IT IS NOT COPIED EITHER IN WHOLE OR IN PART OR DISCLOSED TO THIRD PARTIES UNLESS PRIOR WRITTEN AUTHORISATION IS GIVEN BY REKO INDUSTRIAL EQUIPMENT BV



FUNDATIEPLAN  
FOUNDATION PLAN



FLENZEN : GECOAT ALUMINIUM  
FLANGES : COATED ALUMINIUM



15	4		PA6	DUBO BORGRING M8
14	8		A2	ZESKANTMOER M6 DIN934
13	16		A2	VLAKKE SLUITRING M6 DIN125
12	10		A2	VEERRING M6 DIN127
11	10		A2	ZESKANTTAPBOUW M6x22 DIN933
10	4		A2	HOGE DOPMOER M8 DIN1587
9	4		A2	ZESKANTMOER M8 DIN934
8	4		A2	VLAKKE SLUITRING M8 DIN125
7	1	2REKKIG49-2	AISI 316	TYPE PLAAT
6	2	TS0000-AF	EPDM	FLAP
5	2	TS0000-AE	AISI 304	MONTAGESTRIP
4	1	TS2000-Z	AISI 304	ZEEFPLAAT 2000TS
3	2	TS2000-T	AISI 304	TREKSTANG
2	1	TS2000-B	AISI 304	BAFFLEPLAAT
1	1	VDE2000-A	AISI 304	CASCO
ITEM	QTY	PART NUMBER	MATERIAL	DESCRIPTION

	TITLE: ZEEFBOCHT/SCREEN 2000TS			SCALE: 1 : 10	A2
	MATERIAL:			MASS: 184,08 kg	
	REV	REV STATUS	DATE	BY	CHECKED
	0	Released	18-07-19	SK	
					DRAWING NUMBER
					VDE2000-1

GEN. DIM. TOLERANCES ACC. TO ISO 2768-mk  
WELDING TOLERANCES ACC. TO ISO 13920-AE  
SHARP EDGES REMOVED ACC. TO ISO 13715

© THIS DRAWING IS ISSUED BY REKO INDUSTRIAL EQUIPMENT BV SUBJECT TO THE CONDITIONS THAT IT IS NOT COPIED EITHER IN WHOLE OR IN PART OR DISCLOSED TO THIRD PARTIES UNLESS PRIOR WRITTEN AUTHORISATION IS GIVEN BY REKO INDUSTRIAL EQUIPMENT BV