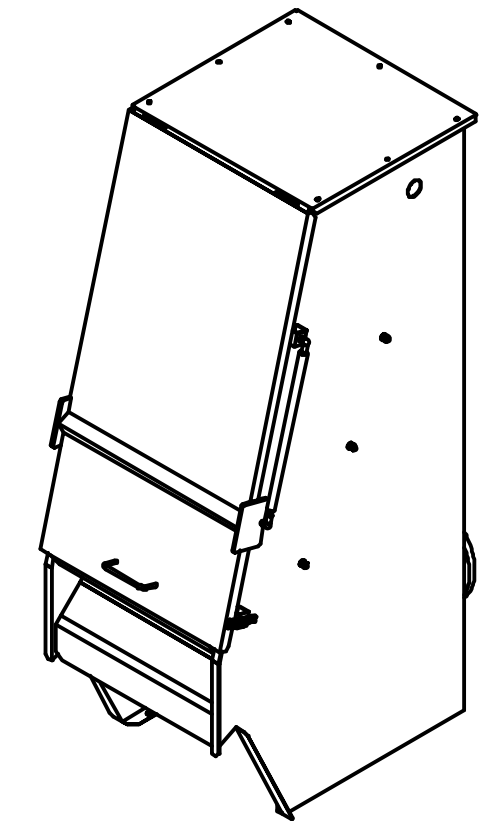
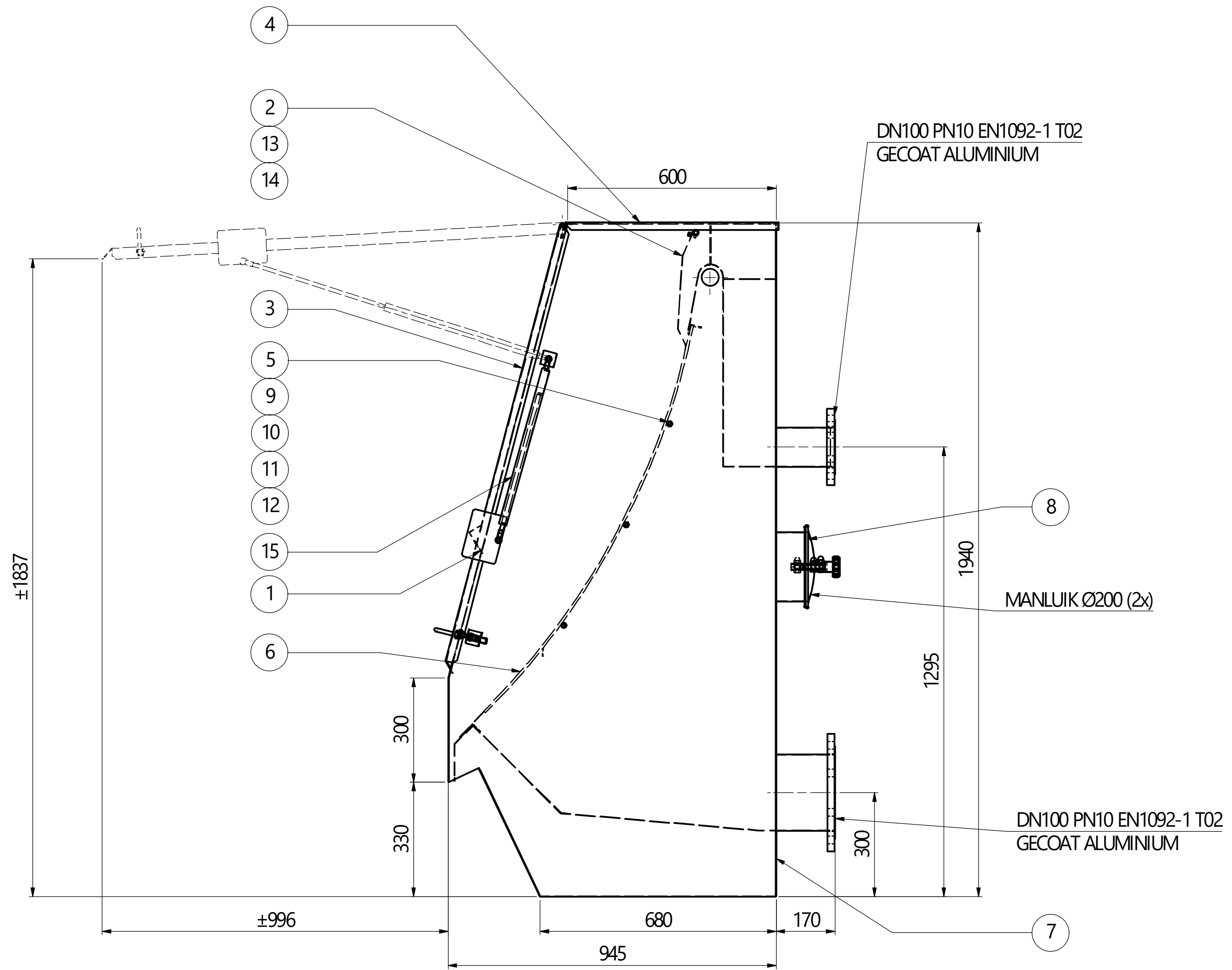


FUNDATIEPLAN

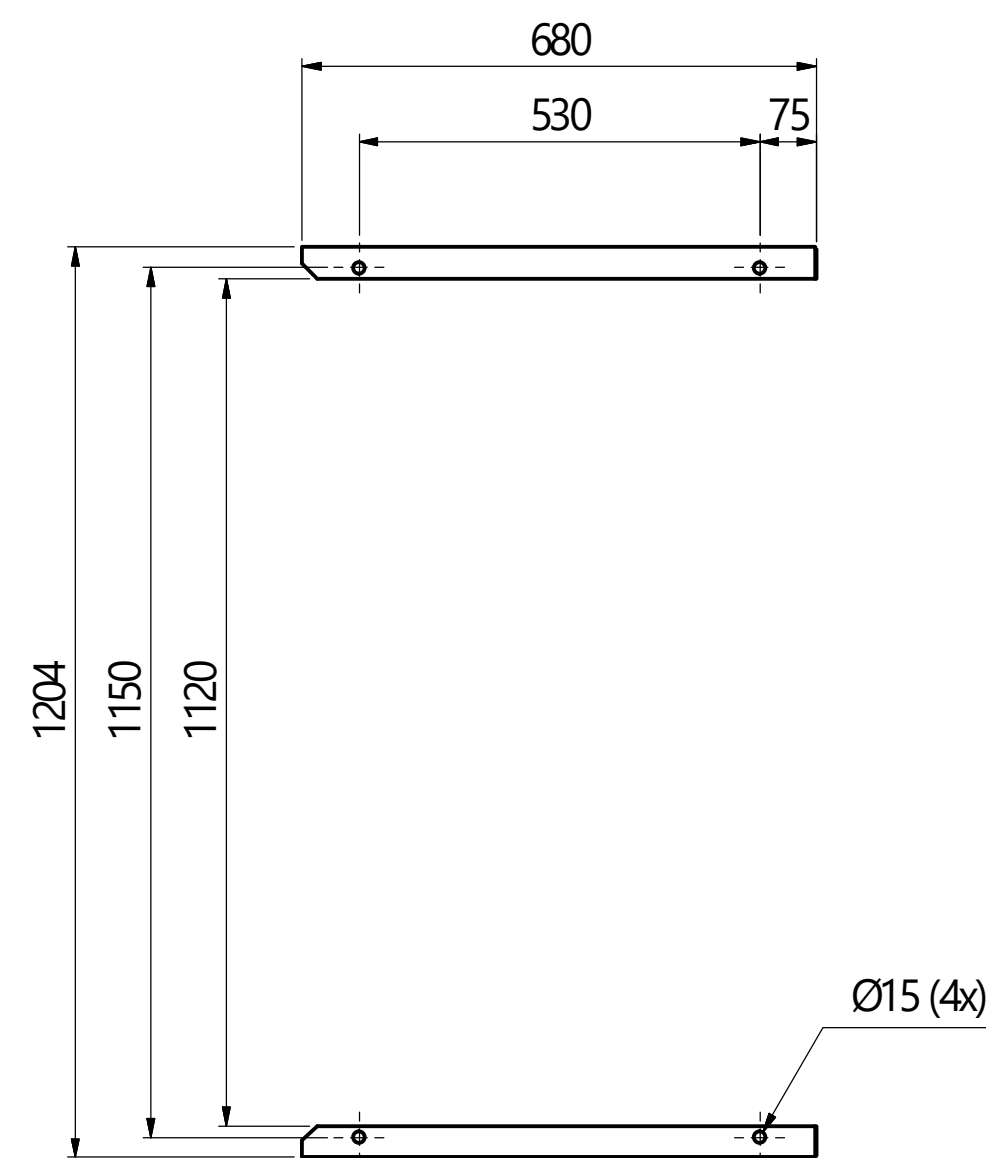
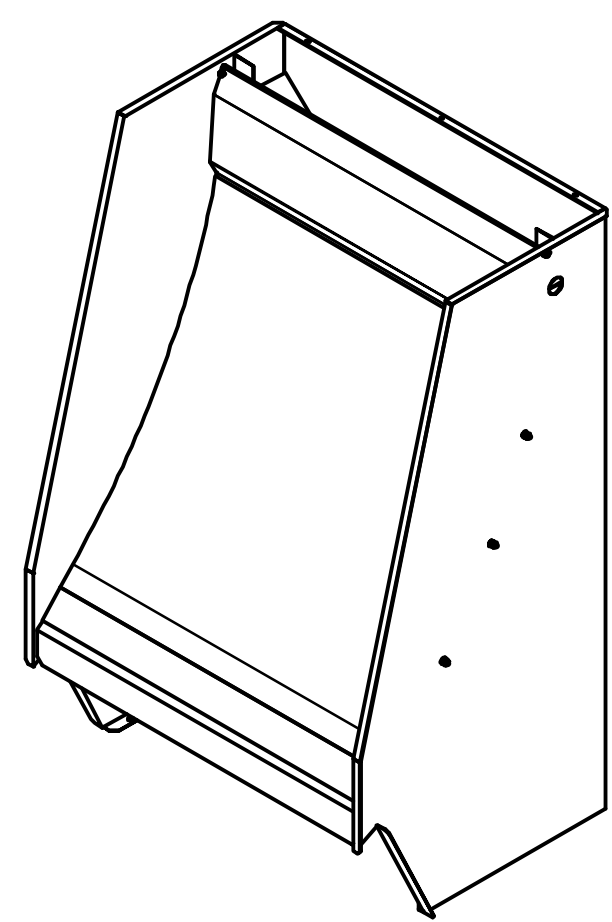
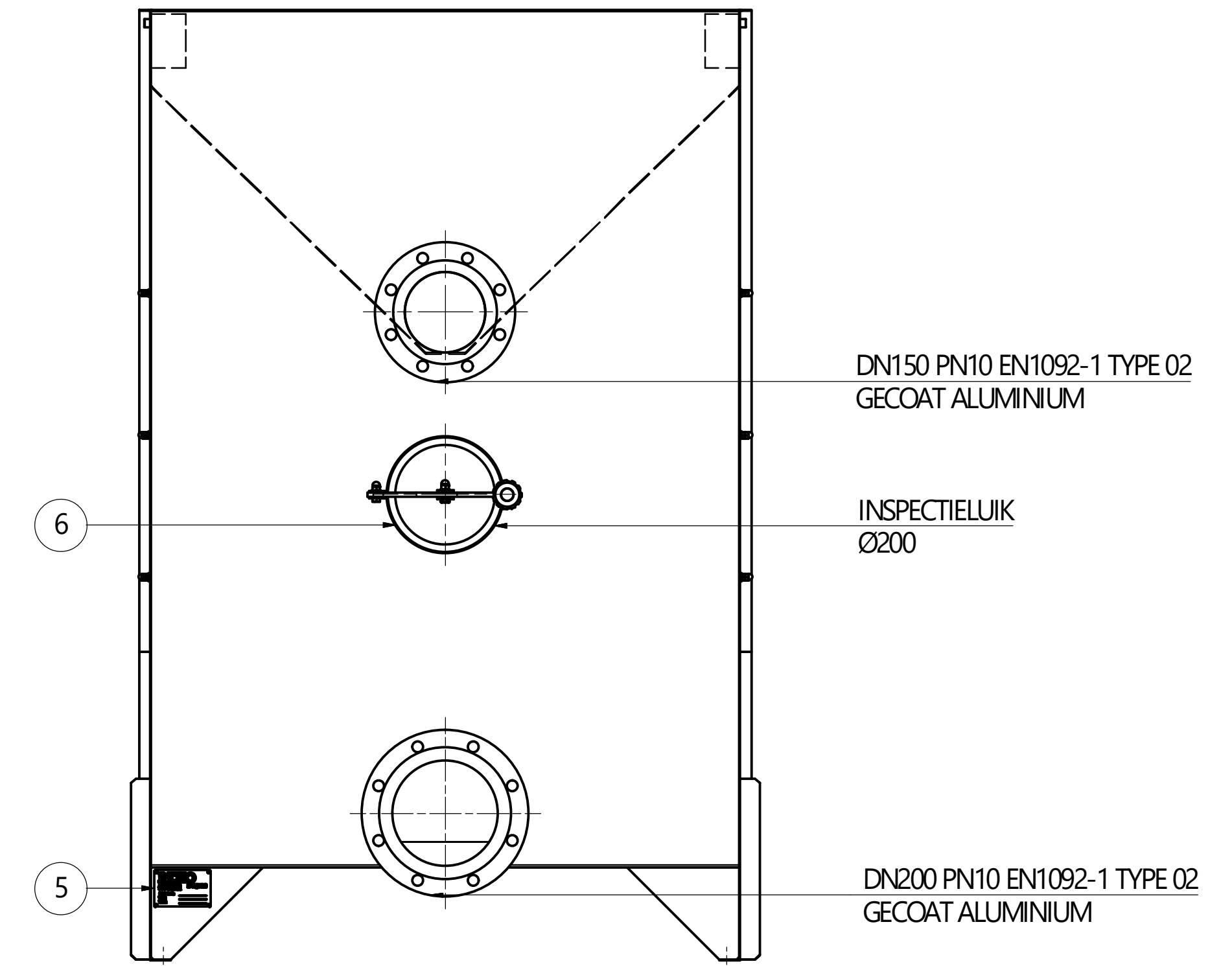
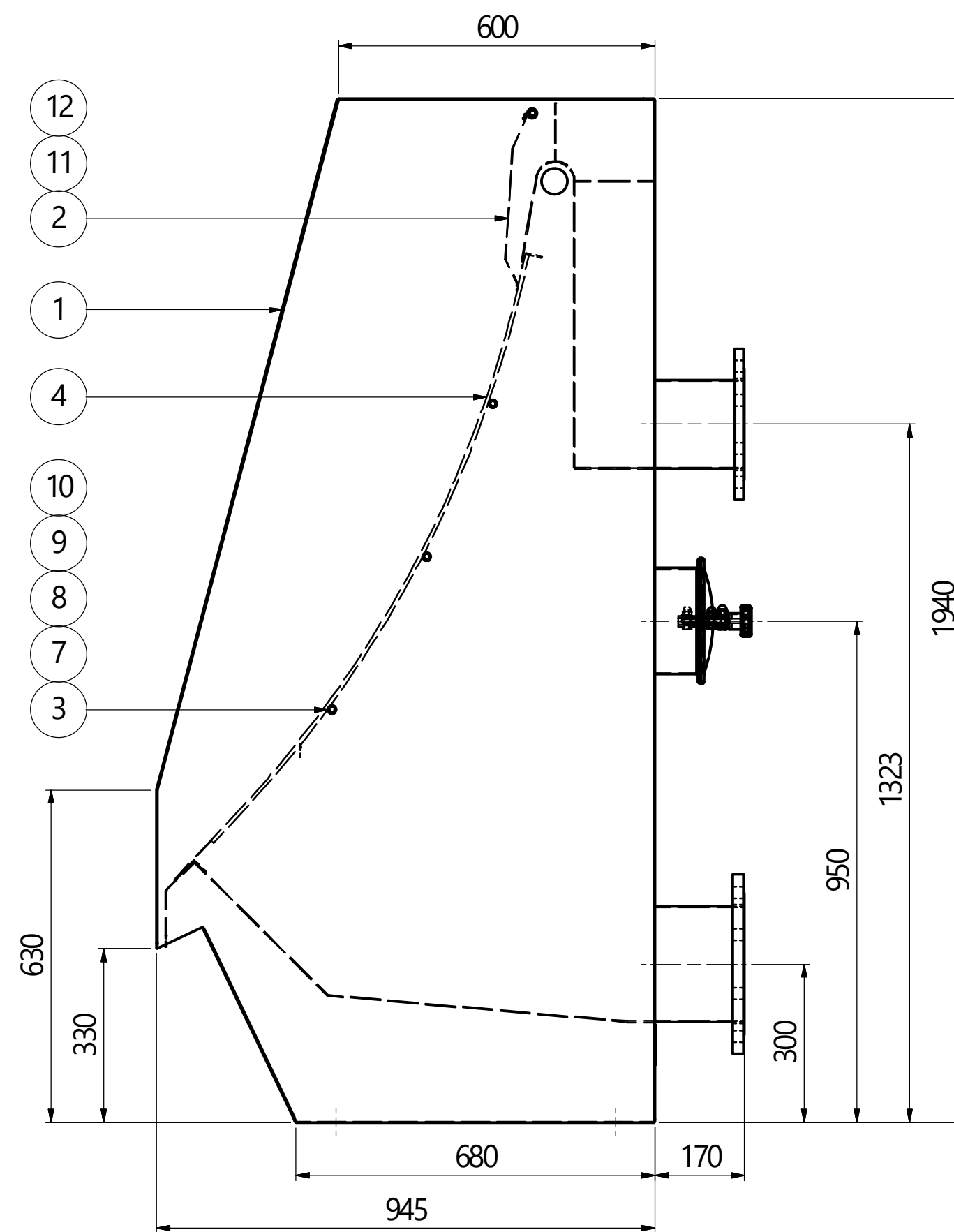
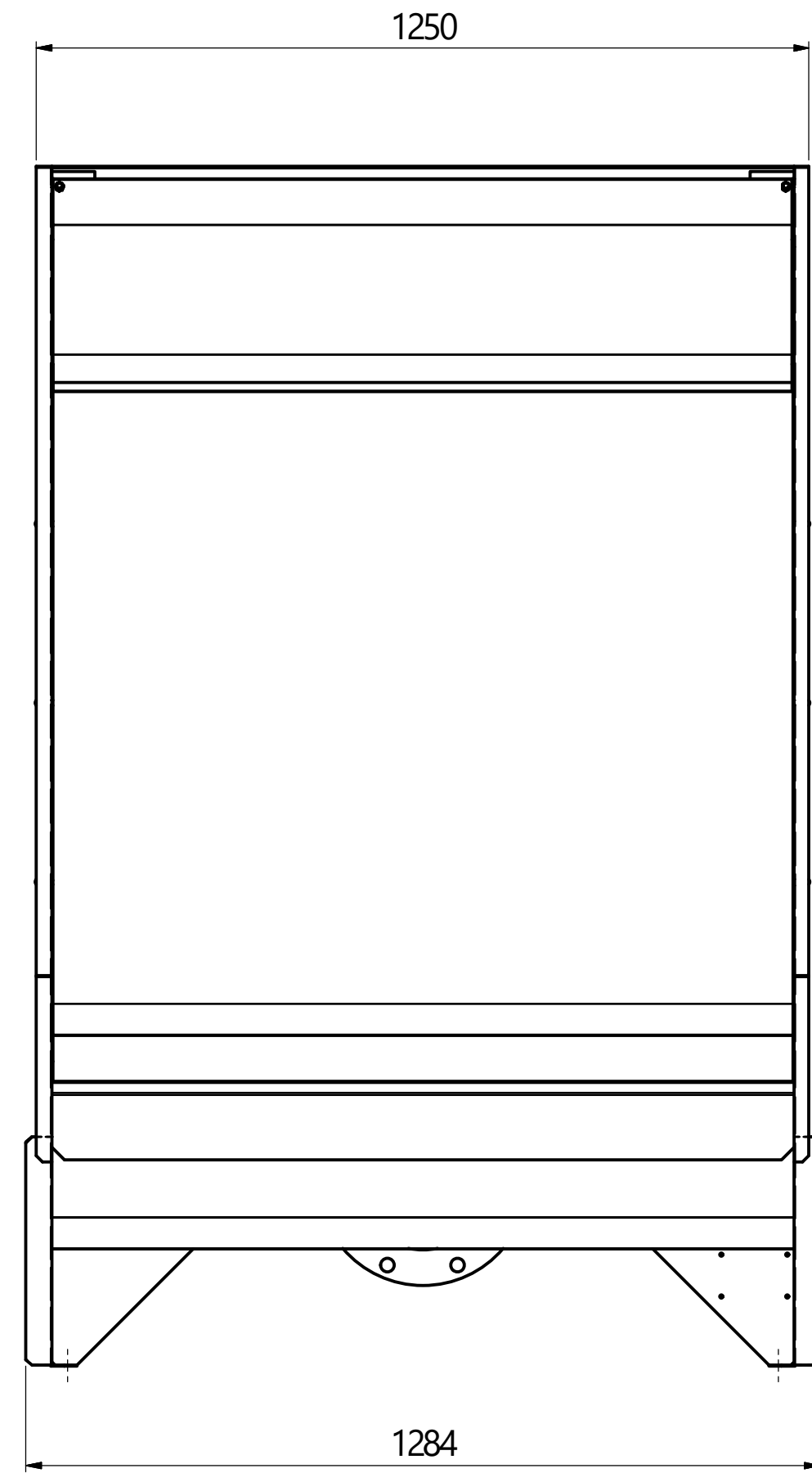


15	2	ROD400SC0250		GASDRUKVEER 10/22 400MM 250N
14	2		A2	ZESKANTTAPBOUW M6x20 DIN933
13	2		A2	VEERRING M6 DIN127
12	6		A2	HOGE DOPMOER M8 DIN1587
11	6		A2	ZESKANTMOER M8 DIN934
10	6		A2	VLAKE SLUITRING M8 DIN125
9	6		PA6	DUBO BORGRING M8
8	1		EPDM	AFDICHTING INSPECTIELUIK
7	1	2REKKIG49-2	AISI 316	TYPE PLAAT
6	1	LB0600-Z	AISI 304	ZEEFPLAAT 600LB
5	3	LB0600-T	AISI 304	TREKSTANG 600LB
4	1	LB0600-D	AISI 304	BOVENDEKSEL 600LB
3	1	LB0600-C	AISI 304	VOORDEKSEL 600LB
2	1	LB0600-B	AISI 304	BAFFLEPLAAT 600LB
1	1	LB0600-2A	AISI 304	CASCO 600LB
ITEM	QTY	PART NUMBER	MATERIAL	DESCRIPTION

TITLE: ZEEFBOCHT 600LB		SCALE: 1:10	A1		
MATERIAL:		MASS: 101,23 kg			
 REKO Industrial Equipment BV The Netherlands www.reko.com	REV	REV STATUS	DATE	BY	CHECKED
	0	In Progress			
DRAWING NUMBER					
LB0600-2					

GEN. DIM. TOLERANCES ACC. TO ISO 2768-mk
WELDING TOLERANCES ACC. TO ISO 13920-AE
SHARP EDGES REMOVED ACC. TO ISO 13715

© THIS DRAWING IS ISSUED BY REKO INDUSTRIAL EQUIPMENT BV SUBJECT TO THE CONDITIONS THAT IT IS NOT COPIED EITHER IN WHOLE OR IN PART OR DISCLOSED TO THIRD PARTIES UNLESS PRIOR WRITTEN AUTHORISATION IS GIVEN BY REKO INDUSTRIAL EQUIPMENT BV



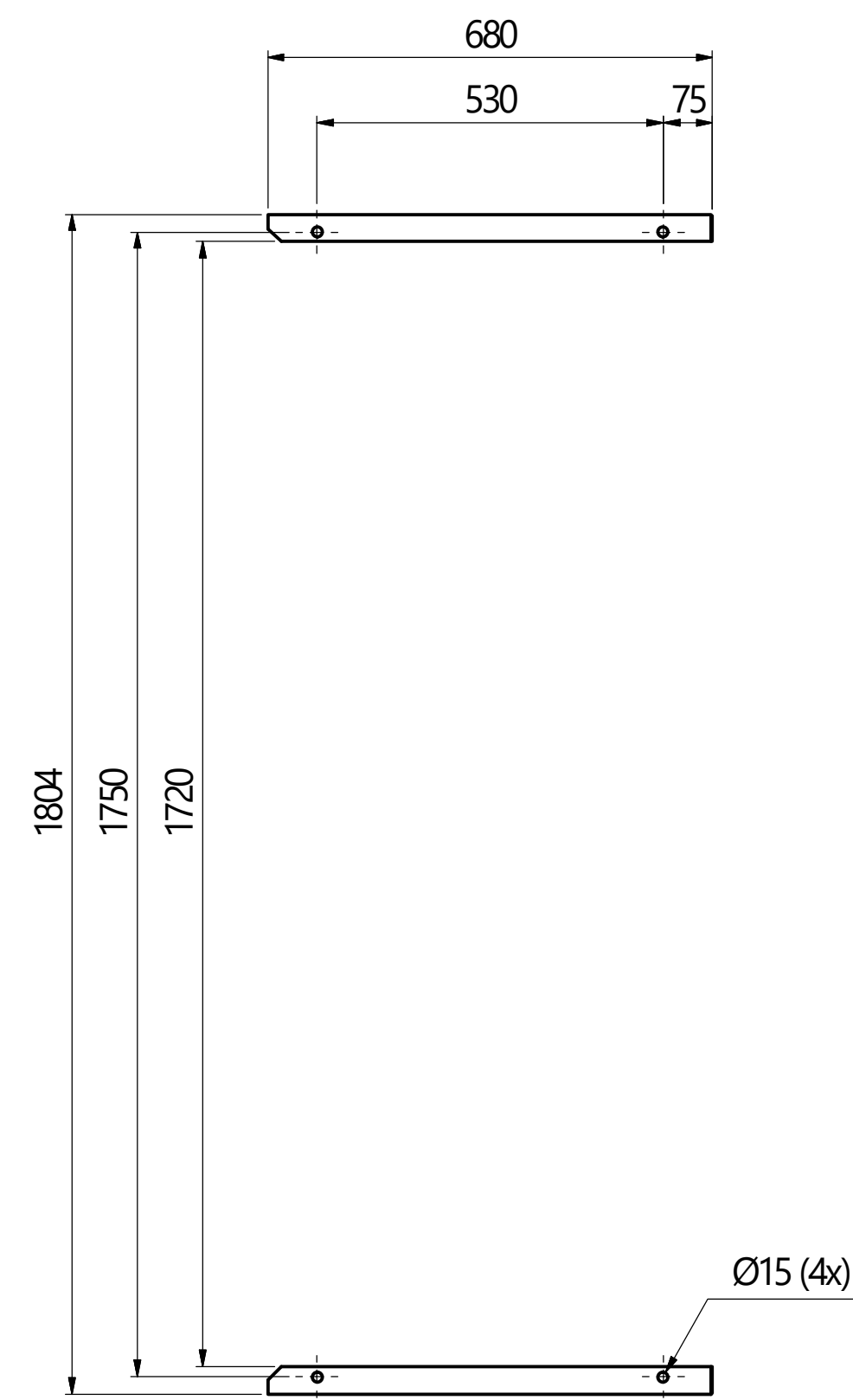
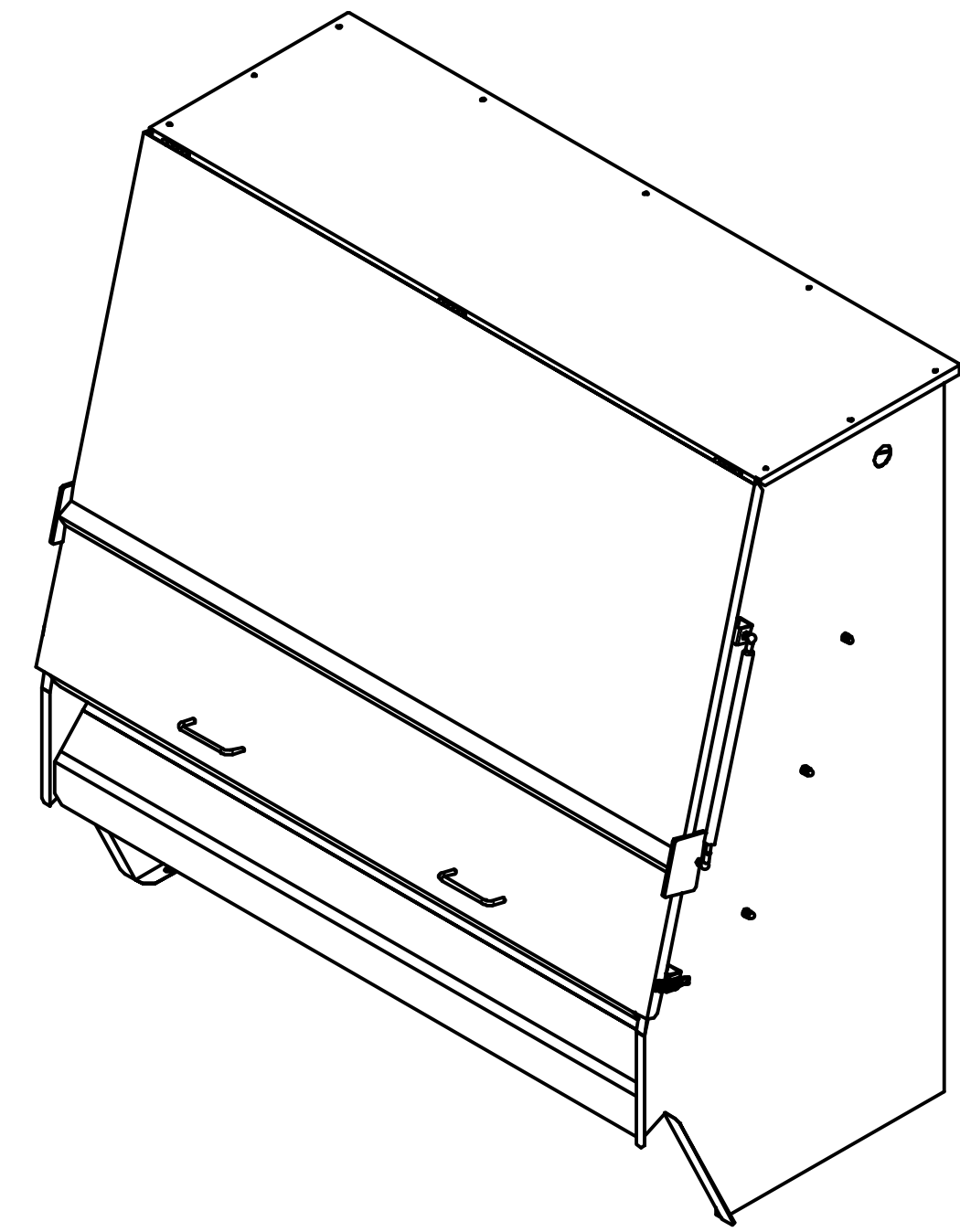
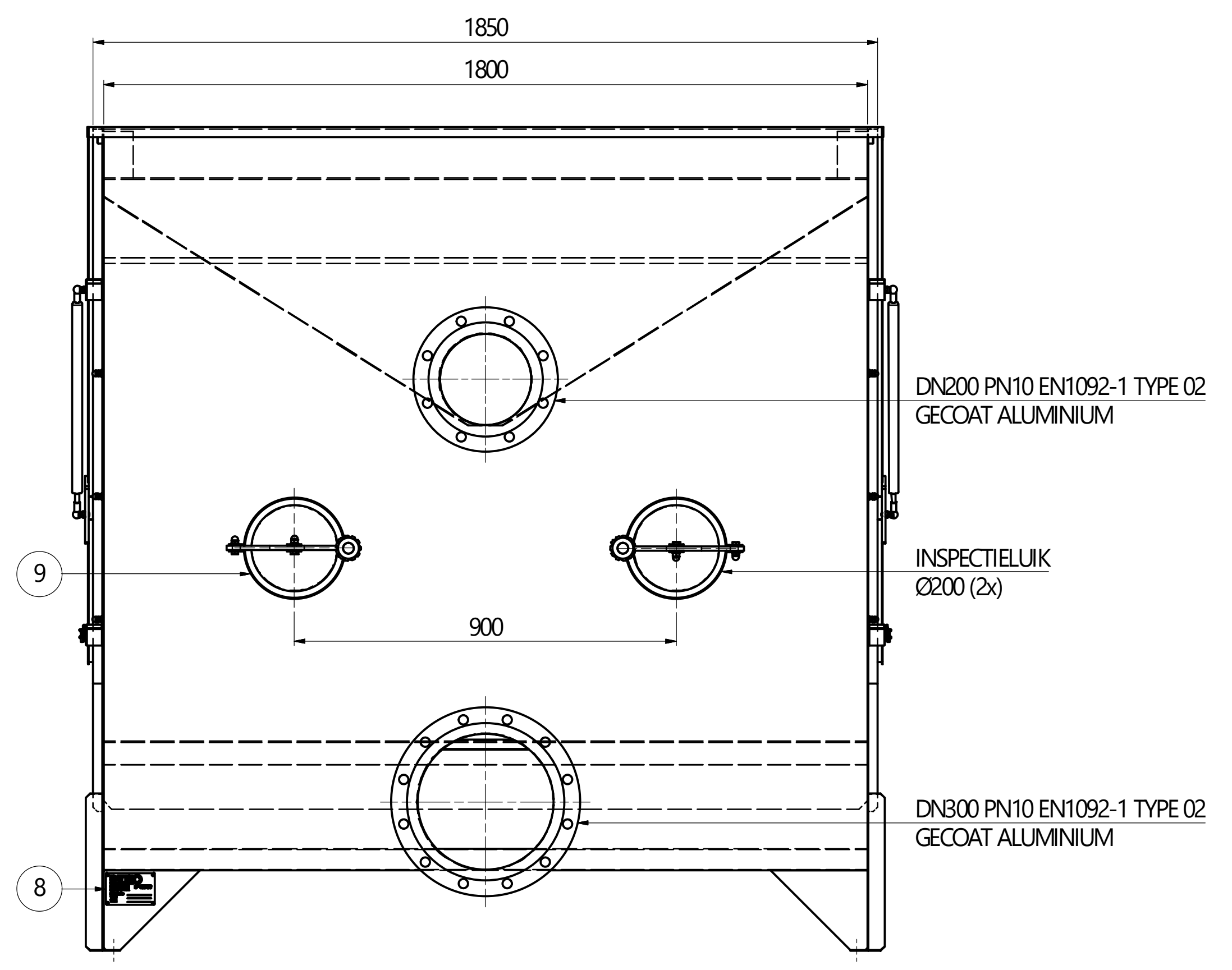
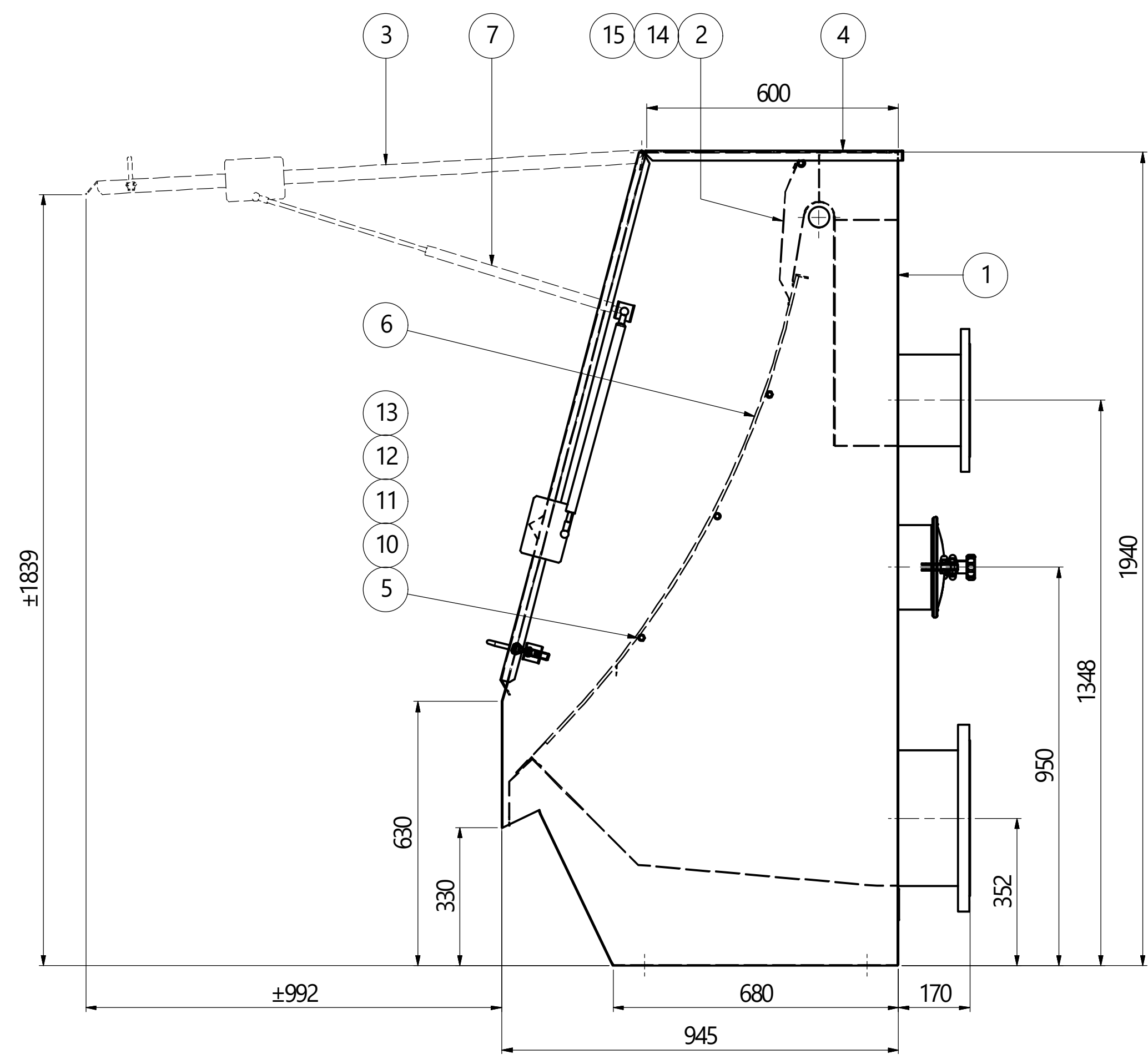
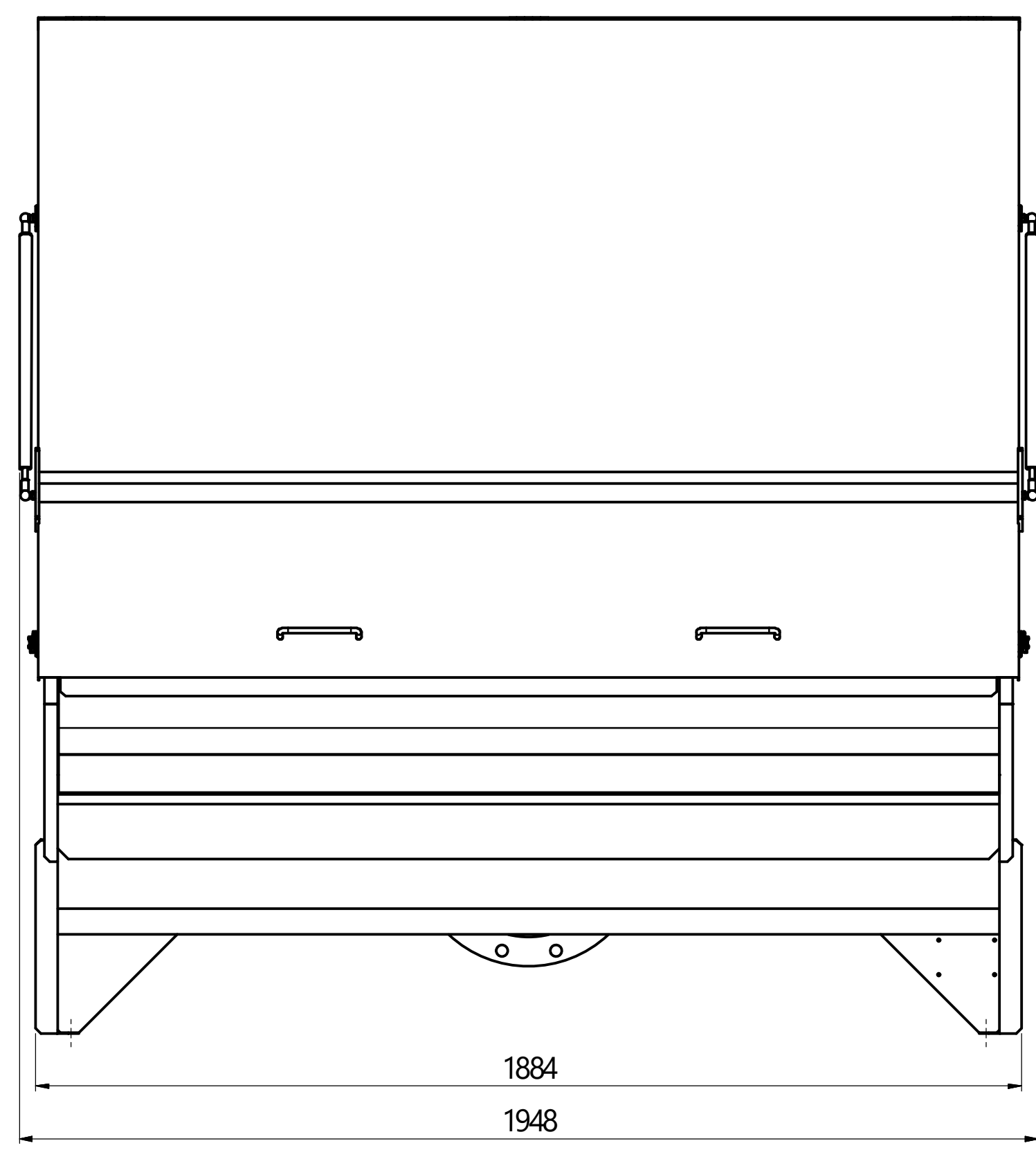
FUNDATIEPLAN

ITEM	QTY	PART NUMBER	MATERIAL	DESCRIPTION
12	2		A2	ZESKANTTAPBOUW M6x20 DIN933
11	2		A2	VEERRING M6 DIN127
10	6		A2	HOGE DOPMOER M8 DIN1587
9	6		A2	ZESKANTMOER M8 DIN934
8	6		A2	VLAKKE SLUITRING M8 DIN125
7	6		PA6	DUBO BORGRING M8
6	1		EPDM	AFDICHTING INSPECTIELUIK
5	1	2REKKIG49-2	AISI 316	TYPE PLAAT
4	1	LB1200-Z	AISI 304	ZEEFPLAAT 1200LB
3	3	LB1200-T	AISI 304	TREKSTANG 1200LB
2	1	LB1200-B	AISI 304	BAFFLEPLAAT 1200LB
1	1	LB1200-A	AISI 304	CASCO 1200LB

TITLE: ZEEFBOCHT 1200LB				SCALE: 1:10	A1
MATERIAL:				MASS: 147.63 kg	
REV		REV STATUS	DATE	BY	CHECKED
0		Released	13-09-18	AvO	
1		Released	30-07-20	SK	
DRAWING NUMBER					
LB1200-1					

GEN. DIM. TOLERANCES ACC. TO ISO 2768-mk
WELDING TOLERANCES ACC. TO ISO 13920-AE
SHARP EDGES REMOVED ACC. TO ISO 13715

© THIS DRAWING IS ISSUED BY REKO INDUSTRIAL EQUIPMENT BV SUBJECT TO THE CONDITIONS THAT IT IS NOT COPIED EITHER IN WHOLE OR IN PART OR DISCLOSED TO THIRD PARTIES UNLESS PRIOR WRITTEN AUTHORISATION IS GIVEN BY REKO INDUSTRIAL EQUIPMENT BV



FUNDATIEPLAN

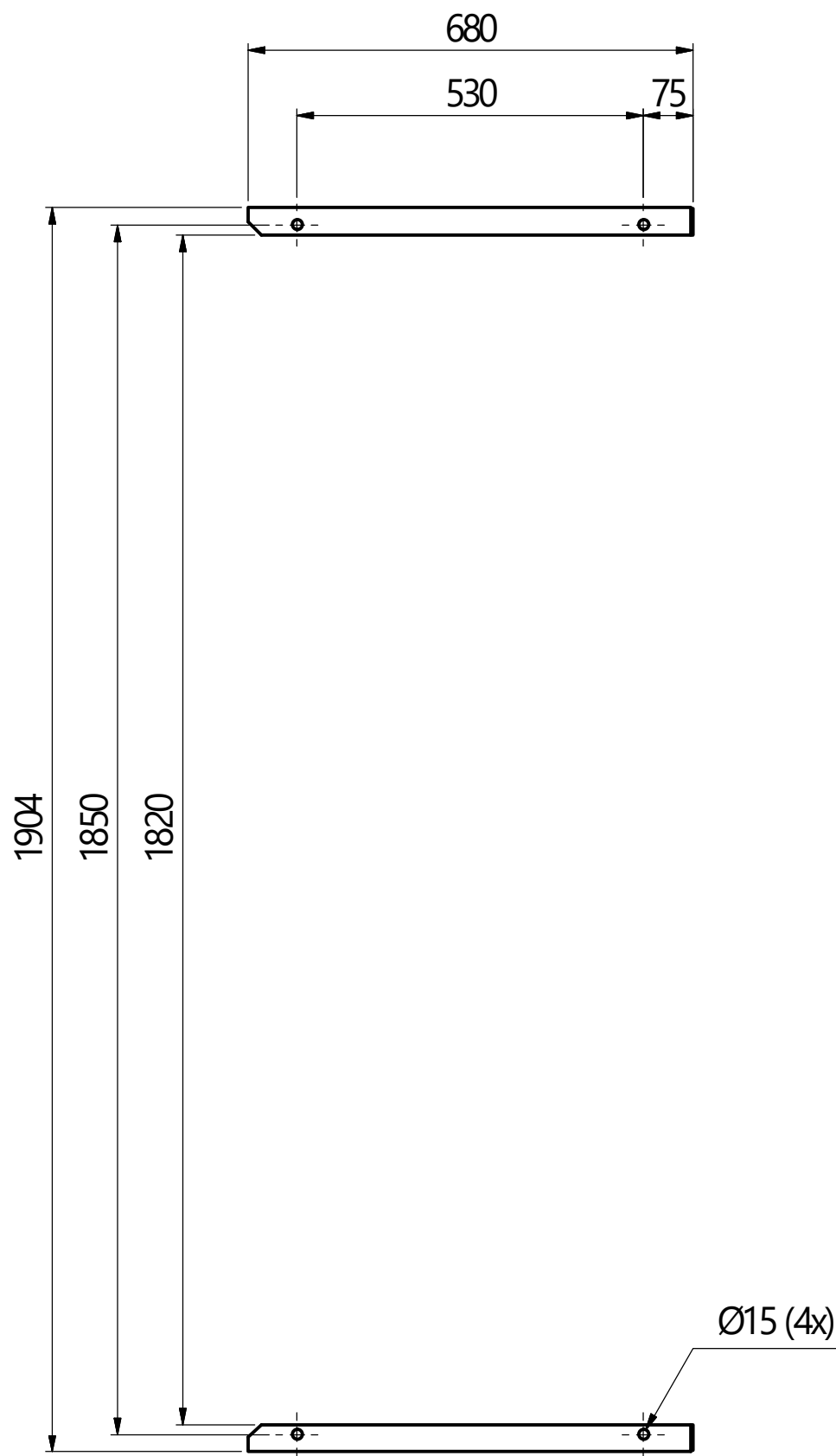
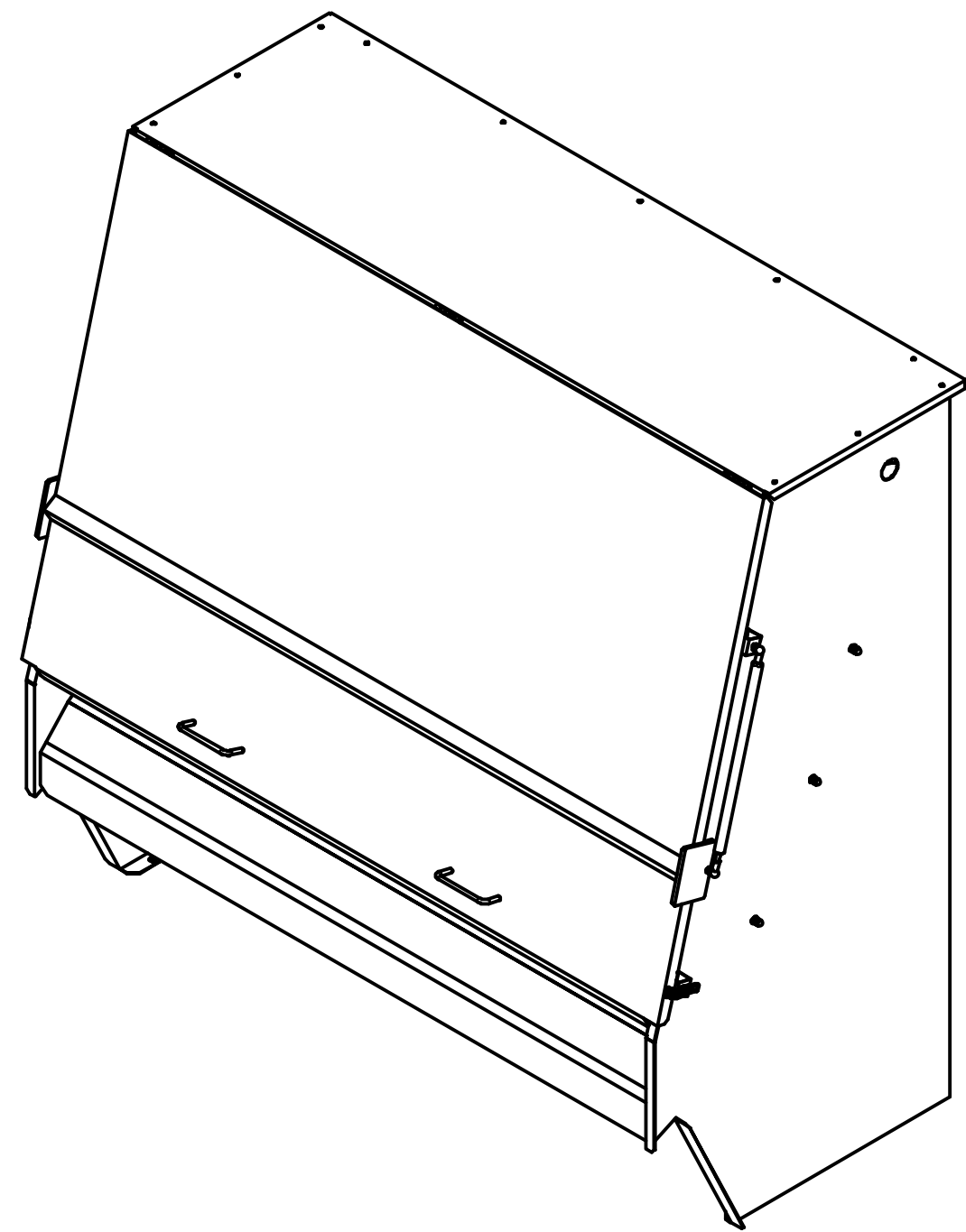
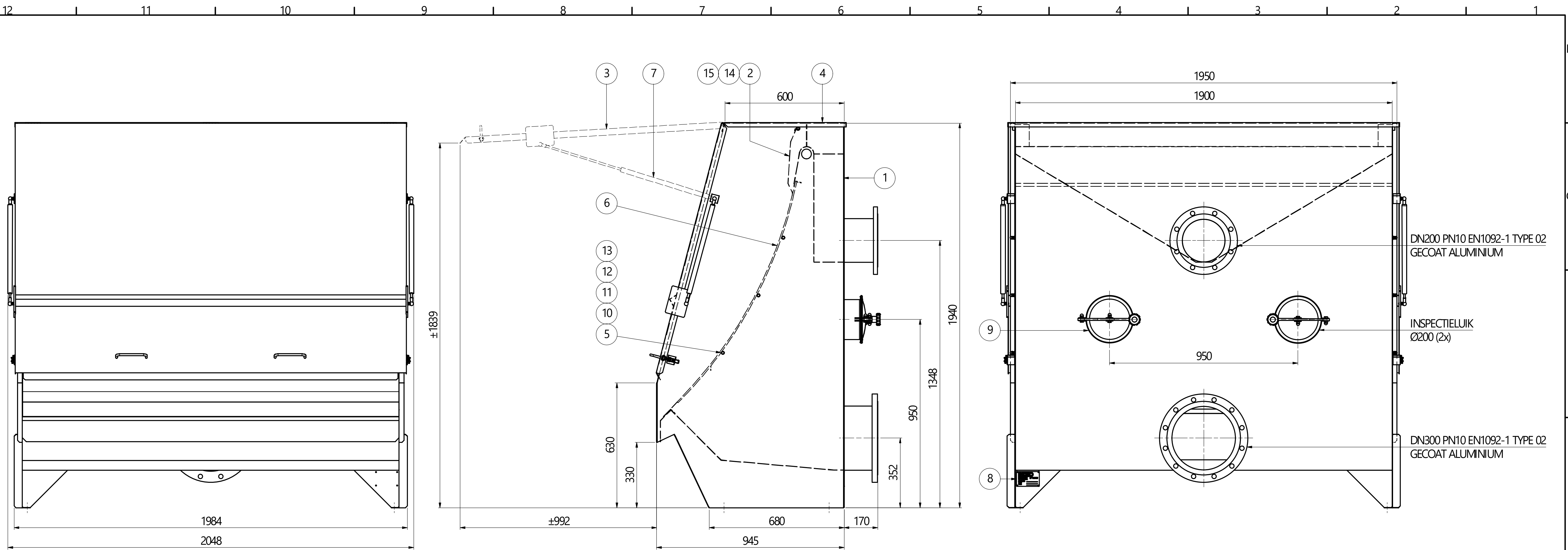
ITEM	QTY	PART NUMBER	MATERIAL	DESCRIPTION
15	2		A2	ZESKANTTAPBOUW M6x20 DIN933
14	2		A2	VEERRING M6 DIN127
13	6		A2	HOGE DOPMOER M8 DIN1587
12	6		A2	ZESKANTMOER M8 DIN934
11	6		A2	VLAKE SLUITRING M8 DIN125
10	6		PA6	DUBO BORGRING M8
9	2		EPDM	AFDICHTING INSPECTIELUIK
8	1	2REKKIG49-2	AISI 316	TYPE PLAAT
7	2	ROD400SC0550	STAAL	GASDRUKVEER 10/22 400MM 550N
6	1	LB1800-Z	AISI 304	ZEEFPLAAT 1800LB
5	3	LB1800-T	AISI 304	TREKSTANG 1800LB
4	1	LB1800-D	AISI 304	BOVENDEKSEL 1800LB
3	1	LB1800-C	AISI 304	VOORDEKSEL 1800LB
2	1	LB1800-B	AISI 304	BAFFLEPLAAT 1800LB
1	1	LB1800-2A	AISI 304	CASCO 1800LB

TITLE: ZEEFBOCHT 1800LB				SCALE: 1:10	A1
MATERIAL:				MASS: 282,57 kg	
REV		REV STATUS	DATE	BY	CHECKED
0		Released	17-09-18	AvO	
DRAWING NUMBER					
LB1800-2					

GEN. DIM. TOLERANCES ACC. TO ISO 2768-mk
 WELDING TOLERANCES ACC. TO ISO 13920-AE
 SHARP EDGES REMOVED ACC. TO ISO 13715

© THIS DRAWING IS ISSUED BY REKO INDUSTRIAL EQUIPMENT BV SUBJECT TO THE CONDITIONS THAT IT IS NOT COPIED EITHER IN WHOLE OR IN PART OR DISCLOSED TO THIRD PARTIES UNLESS PRIOR WRITTEN AUTHORISATION IS GIVEN BY REKO INDUSTRIAL EQUIPMENT BV





FUNDAMENTPLAN

ITEM	QTY	PART NUMBER	MATERIAL	DESCRIPTION
15	2		A2	ZESKANTAPBOUW M6x20 DIN933
14	2		A2	VEERRING M6 DIN127
13	6		A2	HOGE DOPMOER M8 DIN1587
12	6		A2	ZESKANTMOER M8 DIN934
11	6		A2	VLAKE SLUITRING M8 DIN125
10	6		PA6	DUBO BORGRING M8
9	2		EPDM	AFDICHTING INSPECTIELUIK
8	1	2REKKIG49-2	AISI 316	TYPE PLAAT
7	2	ROD400SC0550	STAAL	GASDRUKVEER 10/22 400MM 550N
6	1	LB1900-Z	AISI 304	ZEEFPLAAT 1900LB
5	3	LB1900-T	AISI 304	TREKSTANG 1900LB
4	1	LB1900-D	AISI 304	BOVENDEKSEL 1900LB
3	1	LB1900-C	AISI 304	VOORDEKSEL 1900LB
2	1	LB1900-B	AISI 304	BAFFLEPLAAT 1900LB
1	1	LB1900-2A	AISI 304	CASCO 1900LB

TITLE: ZEEFBOCHT 1900LB		SCALE: 1:10	A1
MATERIAL:		MASS: 290.02 kg	
REV	REV STATUS	DATE	BY
0	Released	18-09-18	AvO
DRAWING NUMBER			
LB1900-2			

GEN. DIM. TOLERANCES ACC. TO ISO 2768-mk
 WELDING TOLERANCES ACC. TO ISO 13920-AE
 SHARP EDGES REMOVED ACC. TO ISO 13715

© THIS DRAWING IS ISSUED BY REKO INDUSTRIAL EQUIPMENT BV SUBJECT TO THE CONDITIONS THAT IT IS NOT COPIED EITHER IN WHOLE OR IN PART OR DISCLOSED TO THIRD PARTIES UNLESS PRIOR WRITTEN AUTHORISATION IS GIVEN BY REKO INDUSTRIAL EQUIPMENT BV