

Instruction

Pump instruction

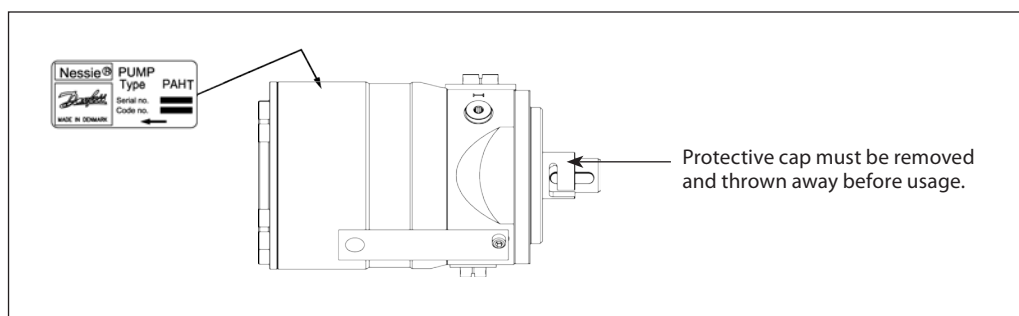
PAHT/PAHT G 20-32 and PAHT/PAHT G 50-90



Instruction **Pump instruction PAHT/PAHT G 20-32 and PAHT/PAHT G 50-90**

Table of Contents	1.	Identification	3
	2.	System design	3
	2.1	Closed water hydraulic systems, water recirculated	3
	2.2	Open-ended systems, water supply from tank	3
	2.3	Open-ended systems with direct water supply.....	4
	2.4	General comments on.....	5
	3.	Building up the pump unit	5
	3.1	Mounting.....	5
	3.3	Orientation	6
	3.2	Direction of rotation	6
	3.4	Protection from too high system pressures	6
	3.5	Connections	7
	3.5.1	PAHT / PAHT G 20-32	7
	3.5.2	PAHT / PAHT G 50-90.....	7
	4.	Initial start-up.....	8
	5.	Operation.....	8
	5.1	Water quality	8
	5.2	Temperature.....	8
	5.3	Pressure	8
	5.4	Dry running.....	9
	5.5	Disconnection	9
	5.6	Storage	9
	5.6.1	Water hydraulic systems, water recirculated.....	9
	5.6.2	Open-ended systems with water supply from tank	9
	5.6.3	Open-ended systems with direct water supply.....	9
	6.	Service.....	9
	6.1	Repair	9

1. Identification



2. System design

Systems can be either:

- Water hydraulic systems, in which the water is recirculated back to tank.
- Open-ended systems with water supply from a tank.
- Open-ended systems with direct water-supply (boosted pressure).

The design of the system must ensure that selfemptying of the pump during standstill is avoided.

The minimum boost pressure is 2 bar (29 psi) and the maximum peak pressure is 20 bar (290 psi). The recommended normal boost pressure is 2-6 bar (29-87 psi) (3-7 bar [43.5-101.5 psi] abs).

If it is unknown what the peak inlet pressure can be, then there should be a 15 bar (218 psi) safety relief valve on the inlet side of the pump.

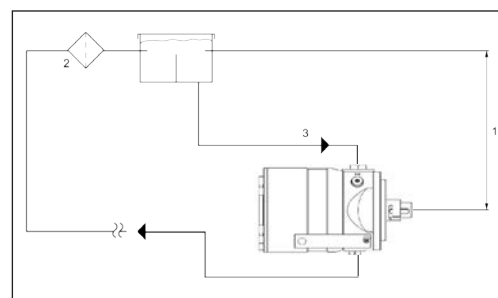
Note: All mentioned pressures refer to measures in the respective pump gauge ports.

The inlet pressure of the pump must never exceed the outlet pressure. This may typically occur in boosted or open-ended systems with supply direct from the tap and where a bypass valve is activated.

2.1 Closed water hydraulic systems, water recirculated

(The numbers 1- 3 refer to the drawing below). In order to eliminate the risk of cavitation, always ensure a minimum inlet pressure of 0 bar (0 psi) (1 bar [14.5 psi] abs) by observing the following guidelines:

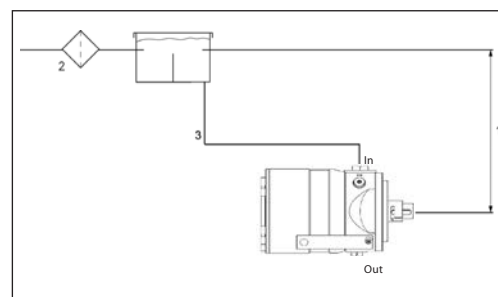
- 1) Place the tank above pump and pump inlet.
- 2) Place the main filter in the return line and not in the suction line.
- 3) Dimension the inlet line with a minimum pressure loss (large flow area, minimum length of pipe, minimum number of bends/connections, fittings with small pressure losses).



2.2 Open-ended systems, water supply from tank

(The numbers 1- 3 refer to the drawing below). In order to eliminate the risk of cavitation, always ensure a minimum inlet pressure of 0 bar (0 psi) (1 bar [14.5 psi] abs) by observing the following guidelines:

- 1) Place the tank above the pump (water level in the tank should always be above the pump).
- 2) Place the inlet filter before the tank.
- 3) Dimension the inlet line to obtain minimum pressure loss (large flow area, minimum pipe length, minimum number of bends/connections, fittings with small pressure losses).

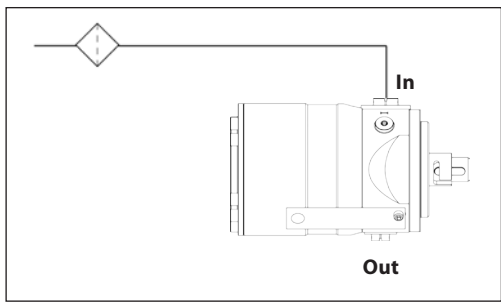


2.3 Open-ended systems with direct water supply

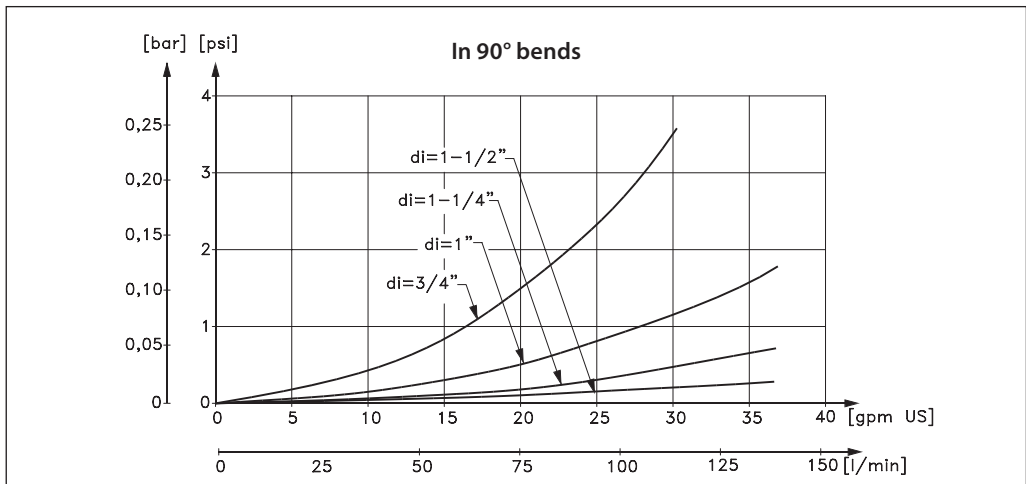
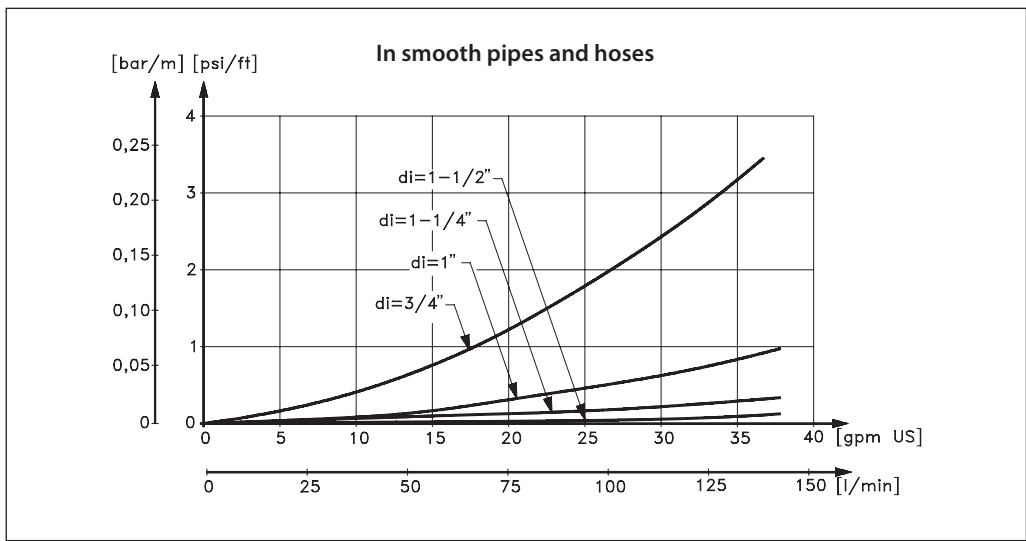
The pump is supplied with water direct from the water supply or from a booster pump. Recommended normal boost pressure is 2-6 bar (29-87 psi) (3-7 bar [43.5-101.5 psi] abs).

The inlet line connection must be properly tightened, as possible entrance of air will cause cavitation.

The suction conditions can be optimized according to below guide-lines.



General guidelines for calculation of pressure losses



2.4 General comments on

Filtration

A good filtration is vital to ensure a long and trouble free life of the pump.

When selecting a filter or strainer, please note that filter materials should be compatible with water, i.e. should neither corrode or dissolve. Also be aware of the electrochemical series of the applied materials.

- Main filter must have a fineness of 10 µm abs.β10 >5000.
- The pressure loss across the filter should be monitored.

Please contact Danfoss High Pressure Pumps for further filter details.

Water tank

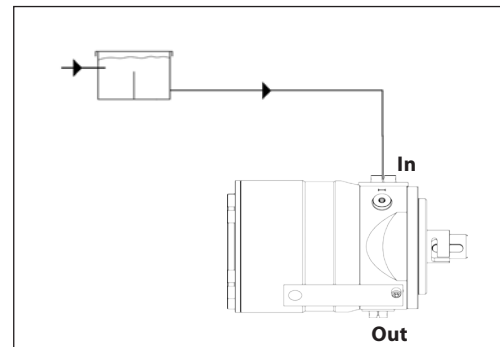
Must be made of corrosion-proof material such as stainless steel or plastic and must be sealed to prevent entrance of impurities from the environment.

Automatic pressure equalization between tank and surroundings must be ensured.

Inlet from the water supply (the return line) and inlet to the pump should be placed in opposite ends of the tank to calm and deaerate the water, and to ensure optimum opportunity for particles to settle.

Pump suction line should be placed relatively high above the tank bottom in order to prevent settled particles from being led into the pump.

We recommend a separation ("wall") to separate the inlet from the outlet end of the tank.



Monitoring

It is recommended to continuously monitor the following conditions:

- Water level (if a tank is used)
- Filter contamination
- Pressure (inlet side of the pump)
- Temperature (inlet side of the pump)

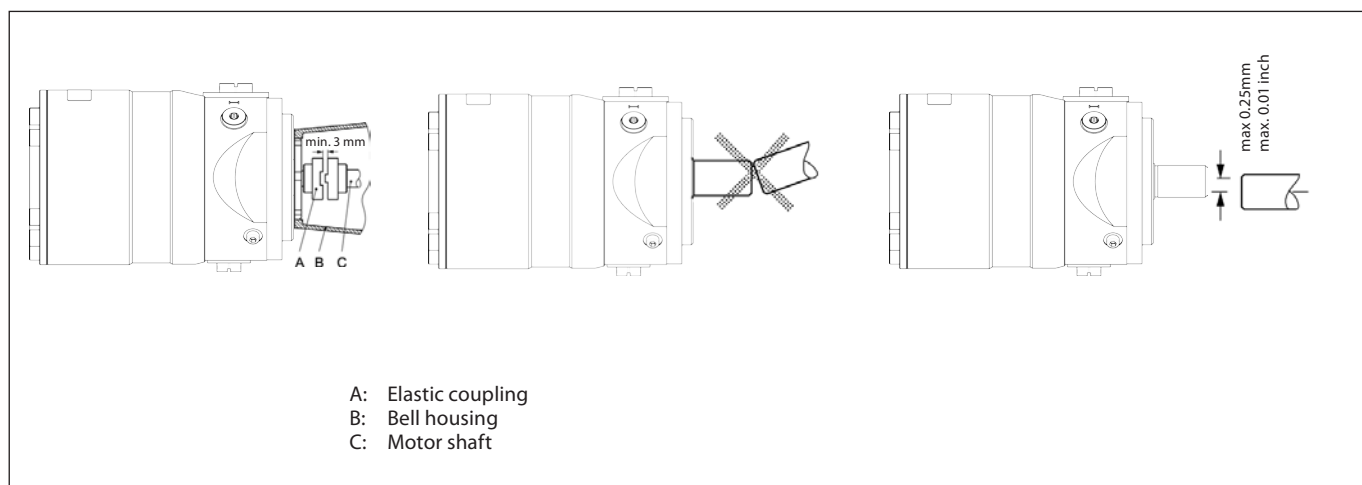
3. Building up the pump unit

3.1 Mounting

If alternative mounting is desired, please contact Danfoss High Pressure Pumps.

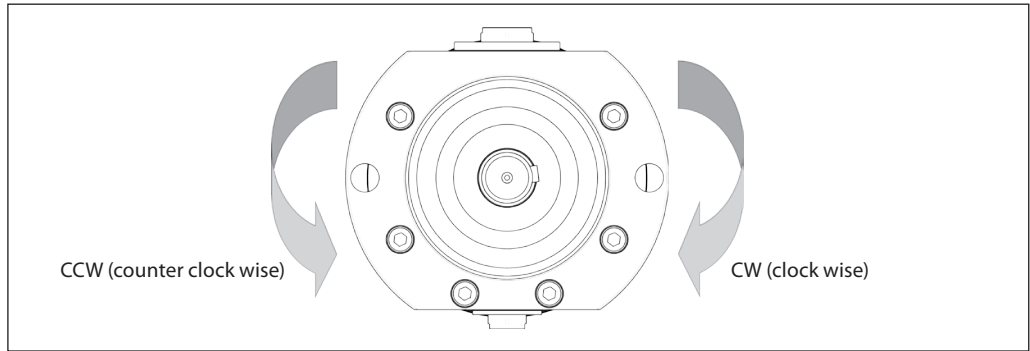
Choose proper tolerances to ensure an easy mounting of the elastic coupling without use of tools.

Please take care to observe the recommended length tolerances of the chosen coupling, as an axial force on the pump shaft will prevent the pump from generating pressure (and over time damage the pump).



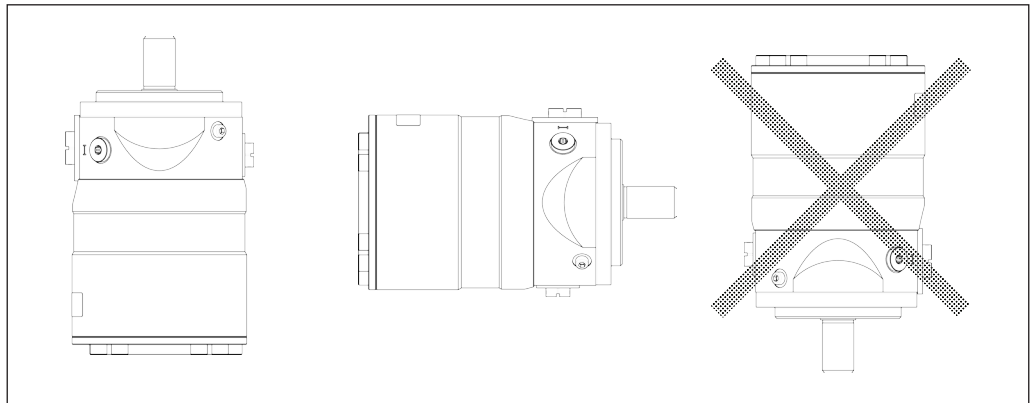
3.2 Direction of rotation

The direction of rotation is indicated by means of an arrow at the label of the pump.



3.3 Orientation

The pump can be mounted/orientated in any horizontal position and it can be mounted/orientated in the vertical position with the shaft upwards. The pump cannot be vertically mounted/orientated with the shaft facing downwards.

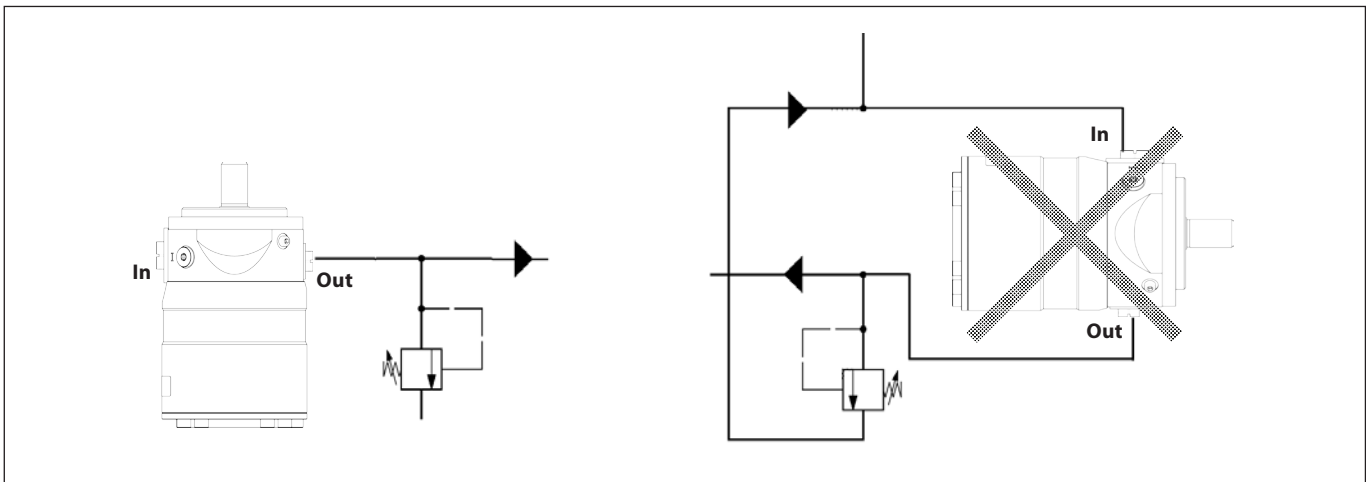


3.4 Protection from too high system pressures

The pump should be protected against too high pressure by means of a pressure relief valve or a bypass/unloading valve placed on the pressure side.

The valve should be placed as close to the pump as possible.

The opening characteristics of the valve must not result in peak pressures higher than 200 bar (2,900 psi).



3.5 Connections

3.5.1 PAHT / PAHT G 20-32

I Inlet
 O Outlet
 C Bleeding
 XI Gauge port inlet*
 XO Gauge port outlet*

Parallel key:
 PAHT/PAHT G 20/25/32: 8 × 7 × 32, DIN 6885

*There are two 1/4" ports on the inlet side for optional mounting of ie switches for low pressure and temperature.
 There is one 1/4" port on the outlet for optional mounting of i.e. pressure transducer.

	PAHT / PAHT G 20/25/32			
	Outlet (O)	Inlet (I)	Bleeding (C)	Gauge 1/4" ports
Thread, ISO	3/4" BSPP with 16 mm long thread	1 1/4" BSPP with 20 mm long thread	M6 (width across flat = 5mm)	1/4" BSPP with 15 mm long thread
Max tighten torque	90 Nm* (66 lb(f)ft)	150 Nm* (110 lb(f)ft)	4 Nm* (3 lb(f)ft)	15 Nm* (11 lb(f)ft)

* Recommended torque values refer to steel washers containing a rubber sealing element.

3.5.2 PAHT / PAHT G 50-90

I Inlet
 O Outlet
 C Bleeding
 XI Gauge port inlet*
 XO Gauge port outlet*

PAHT/ PAHT G 50/63/70/80/90:
 10 × 8 × 45.2 DIN 6885

*There are two 1/4" ports on the inlet side for optional mounting of ie switches for low pressure and temperature.
 There is one 1/4" port on the outlet for optional mounting of i.e. pressure transducer.

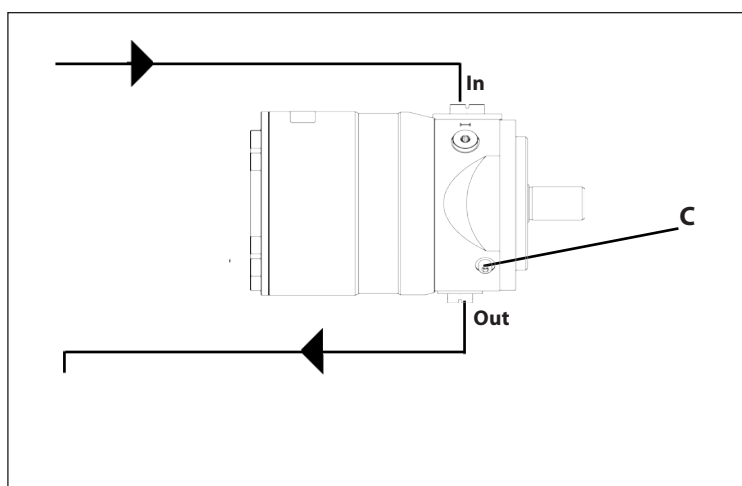
	PAHT / PAHT G 50/63/70/80/90			Gauge 1/4" ports
	Outlet (O)	Inlet (I)	Bleeding (C)	
Thread, ISO	1" BSPP with 24 mm long thread	1 1/2" BSPP with 24 mm long thread	M6 (width across flat = 5mm)	1/4" BSPP with 15 mm long thread
Max tighten torque	120 Nm* (89 lb(f)ft)	180 Nm* (133 lb(f)ft)	4 Nm* (3 lb(f)ft)	15 Nm* (11 lb(f)ft)

* Recommended torque values refer to steel washers containing a rubber sealing element.

4. Initial start-up

Before start-up, loosen the top bleeding plug "C". When water appears from the bleeding plug, retighten the plug.

The piping/hose between inlet filter and pump must be flushed prior to initial start up of the pump to ensure that impurities are removed.



WARNING!

Make sure that the direction of rotation of the electric motor corresponds to the direction of rotation of the pump.

5. Operation

5.1 Water quality

Water of drinking water quality, confirming to the EEC directive 98/83/EC and without abrasive sediments, demineralized water, de-ionised water, softened water and RO water.

Please contact Danfoss High Pressure Pumps sales organization in case of doubt.

5.2 Temperature

Fluid temperature:
Min. +3° C / 37,4° F to max. +50° C / 122° F

Ambient temperature:
Min. 0° C / 32° F to max. 50° C / 122° F

Storage temperature:
Min. -40° C / -40° F to max. +70° C / 158° F

To protect the pump from too high fluid temperature, a temperature switch of 50° C (122° F) should be mounted on the inlet side. If the whole pump flow is bypassed over the relief valve, then the fluid temperature will go up relatively fast.

5.3 Pressure

The inlet pressure must be min. 2 bar equals 3 bar abs. At lower pressures the pump run a risk of cavitating, resulting in damage of the pump.

Short term inlet pressure peaks must not exceed 20 bar (290 psi). It is recommended that the normal boost pressure is 2-6 bar (29-87 psi) (3-7 bar [43.5-101.5 psi] abs).

If it is unknown what the peak inlet pressure can be, then there should be a 15 bar (218 psi) safety relief valve on the inlet side of the pump.

Max. pressure on the pump's outlet line should be limited at 160 bar (2,320 psi) continuously.

Short-term pressure peaks (e.g. in connection with closing of a valve) of up to 200 bar (2,900 psi) are acceptable.

It is recommended to have a check valve on the outlet side of the pump to protect the pump from high pressure going backwards into the pump when it is turned off. Especially, when using flexible hose or more pumps are installed in the same system.

5.4 Dry running

When running, the pump must always be connected to the water supply in order to avoid damage if it should run dry.

In systems with water tank it is recommended to build in a level gauge in the tank to avoid the risk of running dry.

In systems with a boost pump, it is strongly recommended to have a low pressure switch mounted on the water inlet side set at minimum 2 bar (29 psi).

5.5 Disconnection

If the inlet line is disconnected from the water supply, the pump will be emptied of water through the disconnected inlet line. When starting up again, follow the bleeding procedure described under section 4: Initial start up.

5.6 Storage

When preparing the pump for long-term storage or for temperatures below the freezing point, flush the pump with an anti-freeze medium type monopropylene glycol to prevent internal corrosion or frost in the pump.

For further information on anti-freeze media, please contact the Danfoss High Pressure Pumps sales organization.

Recommended procedure:
5.6.1 Water hydraulic systems, water recirculated

1. Disconnect the power pack from the system.
2. Empty the tank of water. Fill up the tank with anti-freeze medium to a level well above the suction line.
3. Start up the power pack and, for a couple of minutes, in a closed loop system let the anti-freeze medium run back to tank through the pressure relief valve or the bypass valve.

4. Empty the tank of the anti-freeze medium. Empty the pump through the lower bleeding plug.

The pump is now protected against internal corrosion and frost.

5.6.2 Open-ended systems with water supply from tank.

1. Empty the tank of water and empty the pump housing through the lower bleeding plug. When the pump is empty, retighten the plug.
2. Through the upper bleeding plug, fill the pump housing with anti-freeze medium. Pour anti-freeze medium into the tank. Connect a hose to the outlet of the pump and lead the other end of the hose back to tank.
3. Quickly start and stop the pump. **Make sure that the pump does not run dry.**

The pump is now protected against internal corrosion and frost.

5.6.3 Open-ended systems with direct water supply.

1. Disconnect the water supply to the pump.
2. Through the lower bleeding plug, empty the pump housing of water and close it again.
3. Connect the pump to a tank of eg. 25 litre (6 gal.) of anti-freeze additive. Connect a hose to the inlet port of the pump and via another hose return the flow from the outlet port to the tank with anti-freeze additives.
4. Quickly start and stop the pump. **Make sure that the pump does not run dry.**

The pump is now protected against internal corrosion and frost.

6. Service

Danfoss PAH pumps are designed for long operation, low maintenance and reduced lifecycle costs.

If Danfoss recommendations concerning system-design are not followed, it will strongly influence the life of the PAH pumps.

Maintenance:

After 8,000 hours of operation it is **strongly recommended to inspect the pump and change any worn parts, e.g. pistons and shaft seal.** This is done in order to prevent a potential breakdown of the pump.

If the parts are not replaced, more frequent inspection is recommended according to our guidelines.

6.1 Repair

In case of irregular function of the pump, please contact the Danfoss High Pressure Pumps sales organisation.

Danfoss A/S
High Pressure Pumps
DK-6430 Nordborg
Denmark

Danfoss can accept no responsibility for possible errors in catalogues, brochures and other printed material. Danfoss reserves the right to alter its products without notice. This also applies to products already on order provided that such alterations can be made without subsequential changes being necessary in specifications already agreed. All trademarks in this material are property of the respective companies. Danfoss and the Danfoss logotype are trademarks of Danfoss A/S. All rights reserved.
