




Data sheet

Data sheet

APP 0.6-1.0



 **Nessie®**
MADE IN DENMARK

PUMP
Type. APP 1
Serial no. 38891202-262
Code no. 180B3049

←

Table of Contents

1.	General information.....	2
2.	Benefits.....	3
3.	Technical data	3
4.	Flow at different rpm.....	4
5.	Flushing valve	4
6.	Power requirements	5
7.	Temperature and corrosion.....	5
7.1	Operation.....	5
7.2	Storage	6
8.	Noise level	6
9.	Filtration.....	6
10.	Dimensions	7
10.1	Pump.....	7
10.2	Complete unit	7
11.	Installation.....	8
11.1	Mounting.....	8
11.2	Open-ended system with direct water supply.....	8
11.3	RO system with APP pump	9
12.	Service.....	9
12.1	Warranty.....	9
12.2	Maintenance.....	9
12.3	Repair	9

1. General information

APP 0.6, APP 0.8 and APP1.0 pumps are designed to supply low viscosity and corrosive fluids under high pressure, eg in seawater reverse osmosis filtration applications and for high-pressure salt water pumping.

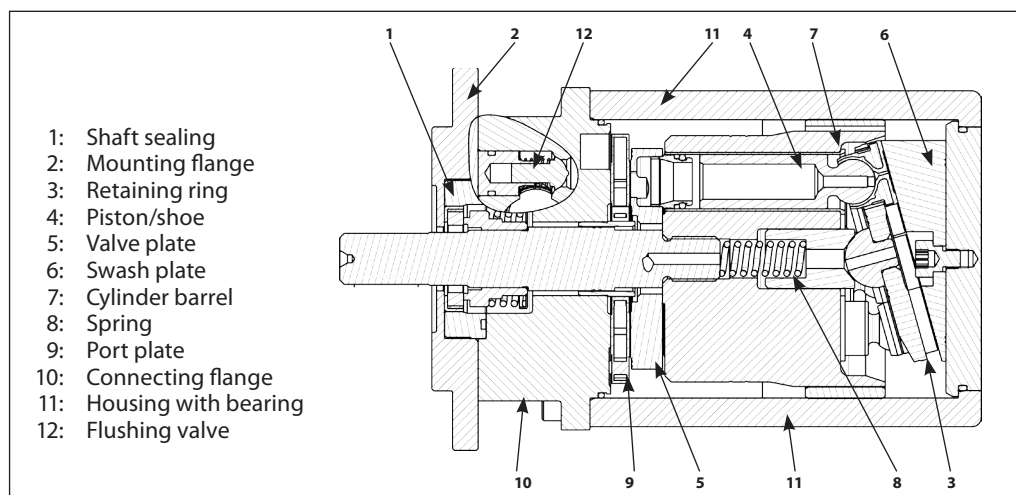
The pumps are based on the axial piston principle enabling a very light and compact design. The design ensures that lubrication of the moving parts in the pumps is provided by the fluid itself. No oil lubrication is thus required.

All parts included in the pumps are designed to provide long service life, ie long service life with

a constantly high efficiency and minimum of service required.

The pumps are fixed displacement pumps in which the flow is proportional to the number of revolutions of the input shaft and the pump displacement, regardless of any counter-pressure.

The pumps are supplied with an integrated flushing valve that allows the salt water to flow from inlet to the outlet, when the pump is not running.



2. Benefits

- One of the smallest and lightest pumps on the market.
- Can be powered by a combustion engine.
- Long service life / No preventive maintenance required in the warranty period.
- Generates insignificant pulsations in the high-pressure line.
- No oil lubricant required.
- Integrated flushing valve
- All parts of the pump are made of high corrosion resistant materials e.g. Duplex (EN1.4462/UNS S31803-S32205) and Super Duplex (EN1.4410/UNS S32750) stainless steel and carbon reinforced PEEK
- High efficiency

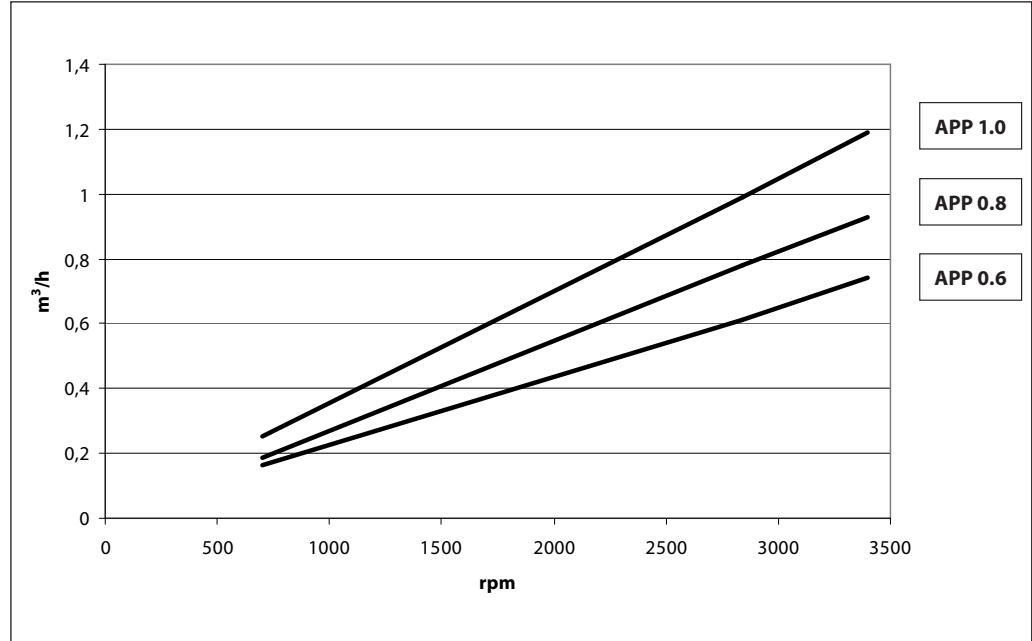
3. Technical data

APP pumps		APP 0.6	APP 0.8	APP 1.0
Code number		180B3048	180B3037	180B3049
Geometric displacement	cm ³ /rpm	4	5.07	6.3
	in ³ /rpm	0.24	0.31	0.38
Rated flow (3000 rpm) ¹⁾	m ³ /h	0.6	0.8	1.0
	gpm	2.6	3.5	4.4
Outlet min. pressure ²⁾	bar	20	20	20
	psi	290	290	290
Outlet max. pressure, continuous. ³⁾	bar	80	80	80
	psi	1160	1160	1160
Outlet max. pressure, intermittent ⁴⁾	bar	100	100	100
	psi	1450	1450	1450
Inlet min. pressure	bar	0.5	0.5	0.5
	psi	7.3	7.3	7.3
Inlet max. pressure, continuous	bar	5	5	5
	psi	72.5	72.5	72.5
Inlet max. pressure, peak	bar	10	10	10
	psi	145	145	145
Max. speed continuous ⁵⁾	rpm	3450	3450	3450
Min. speed continuous	rpm	700	700	700
Power requirement at 80 bar and 3000 rpm	kW	1.9	2.4	2.9
	hp	2.5	3.3	3.9
Torque at 80 bar	Nm	6.1	7.6	9.3
	lbf-ft	4.5	5.6	6.85
Weight	Kg	5.2	5.2	5.2
	lb	9.7	9.7	9.7
Integrated flushing valve		YES	YES	YES

- 1) Typical average flow at 80 bar (1160 psi).
- 2) For lower pressure, please contact Danfoss RO Sales Organization.
- 3) For higher pressure, please contact Danfoss RO Sales Organization.
- 4) Intermittent pressure is acceptable for less than 10 seconds per minute.
- 5) For speeds above 3000 rpm the pump must be boosted at a pressure of 1-5 bar (14.5 - 72.5 psi).

4. Flow at different rpm

Using the diagram shown below, it is easy to select the pump which fits the application best if the flow required and the rotation speed (rpm) of the pump are known.

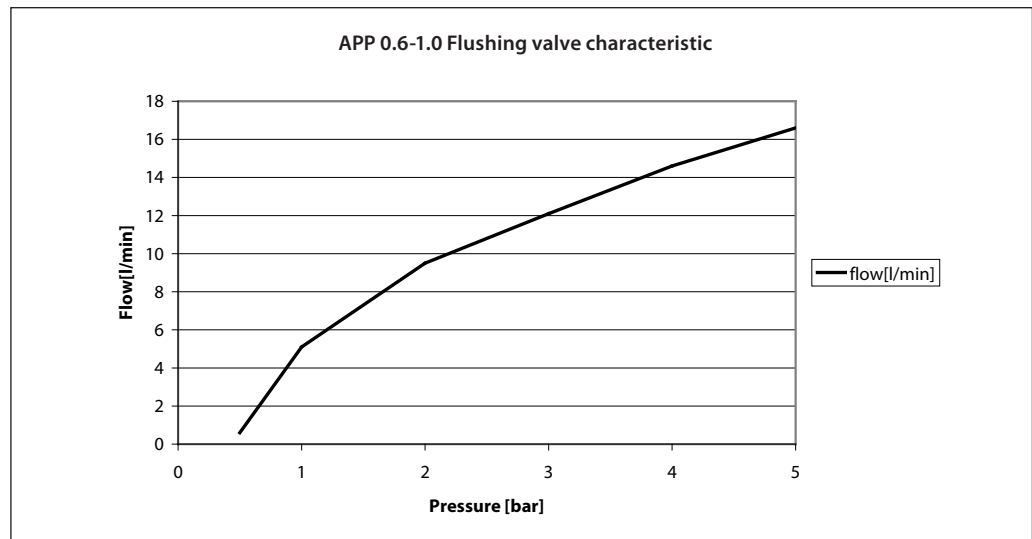


Furthermore, this diagram shows that the flow can be changed by changing the rotation speed of the pump. The flow/rpm ratio is constant, and the "required" flow can be obtained by changing the rotation speed to a corresponding value. Thus, the required rpm can be determined as:

$$\text{Required rpm} = \frac{\text{Required flow} \times \text{Rated rpm}}{\text{Rated flow}}$$

5. Flushing valve

The diagram shows pressure difference across flushing valve:



6. Power requirements

Pump model	Flow			Pressure			rpm	Calc. factor
				60 bar	70 bar	80 bar		
	l/min	m ³ /h	gpm	870 psi	1015 psi	1160 psi		
APP 0.6	10.2	0.61	2.69	1.38 kW	1.61 kW	1.84 kW	2840	475.8
APP 0.6	12.3	0.74	3.25	1.66 kW	1.94 kW	2.21 kW	3400	475.8
APP 0.8	13.6	0.82	3.61	1.73 kW	2.02 kW	2.31 kW	2840	475
APP 0.8	16.3	0.98	4.31	2.07 kW	2.41 kW	2.76 kW	3400	475
APP 1.0	16.5	0.99	4.37	2.14 kW	2.49 kW	2.85 kW	2840	474.6
APP 1.0	19.8	1.19	5.24	2.57 kW	2.99 kW	3.42 kW	3400	474.6

The power requirements can be determined using one of the following guiding equations:

$$\text{Required power} = \frac{\text{l/min} \times \text{bar}}{\text{Calc. factor}} \text{ [kW]} \text{ or } \frac{16.7 \times \text{m}^3/\text{h} \times \text{bar}}{\text{Calc. factor}} \text{ [kW]} \text{ or } \frac{0.26 \times \text{gpm} \times \text{psi}}{\text{Calc. factor}} \text{ [kW]}$$

- 1 hp = 0.75 kW
- 1 kW = 1.34 hp
- 1 gpm = 3.79 l/min
- 1 l/min = 0.26 gpm
- 1 m³/h = 4.40 gpm
- 1 gpm = 0.23 m³/h

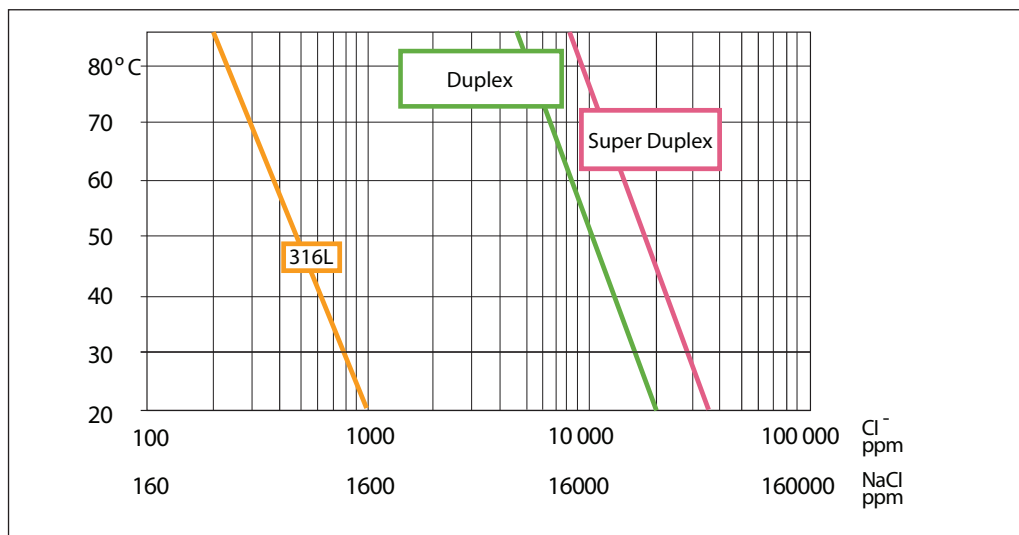
7. Temperature and corrosion

7.1 Operation

Fluid temperature: +2°C to +50°C (+35.6°F to 122°F) - dependent on the NaCl concentration
Ambient temperature: +2°C to +50°C (+35.6°F to 122°F)

The chart below illustrates the corrosive resistance of different types of stainless steel related to NaCl concentration and temperature. All critical parts of the APP water pump is made of Super Duplex.

If the water pump is operated at high salinity, always flush the water pump with fresh water at operation stop in order to minimize the risk of crevice corrosion.



7.2 Storage

Storage temperature:
-40°C to +70°C (+40°F to 158°F) – provided that the pump is drained of fluid and stored “plugged”

Frost protection is required at temperatures below 2°C. Danfoss recommends to use DOWFROST from DOW Chemical Company or Chilsafe mono propylene glycol from Arco Chemical Company.

8. Noise level

The table indicates the **approximate** noise level in dB(A) measured at a distance of 1 m from the

pump in a reverberation room:

Type	60 bar (870 psi)	60 bar (870 psi)
	1500 rpm	3000 rpm
APP 0.6	70	73
APP 0.8	73	75
APP 1.0	73	75

Generally, noise will be reduced if speed is reduced and vice versa. Use flexible hoses in order to minimize vibrations and noise.

Since the pump is typically mounted on a bell housing or frame, the noise level must be determined for the complete unit (system).

It is therefore very important that the motor/pump unit is mounted correctly on a frame with antivibration isolation to minimize

vibrations and noise.

The noise level is influenced by:

- The speed of the pump, high rpm create more noise than low rpm
- Rigid mounting of the pump generates more noise than flexible mounting
- Pipe mounting direct to the pump increases the noise level compared to a flexible hose

9. Filtration

As water has very low viscosity, the APP pumps have been designed with very narrow clearance in order to control internal leakage rates and improve component performance. Therefore it is important that the inlet water is filtered properly to minimize the wear of the pump.

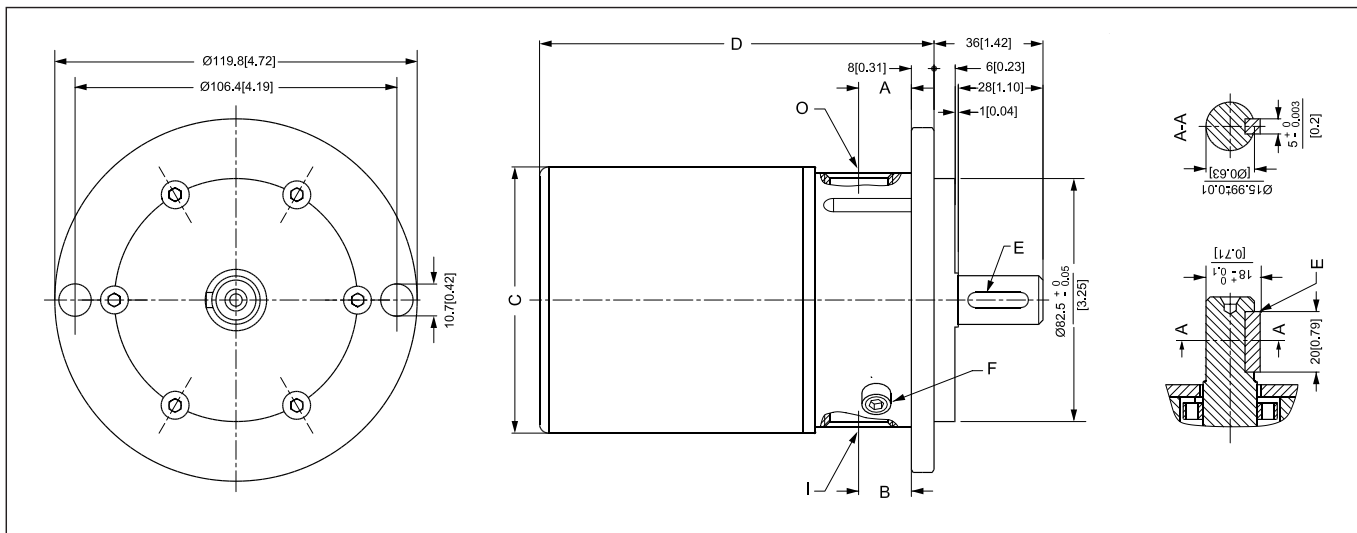
The main filter must have a filtration efficiency of 99.98% at 10 µm. We recommend to use precision depth filter cartridges rated 10µm abs. β10>5000 (equivalent to a filtration efficiency of 99.98%). Bag filters and string wound filter cartridges typically have only 50% filtration efficiency.

This means that for each 100,000 particles reaching the filter, 50,000 particles pass through it compared to only 20 particles in a filter with an efficiency of 99.98%.

For more information on the importance of proper filtration, please consult our publication “Filtration” (code number 521B1009), which also will provide you with an explanation of filtration definitions and a guidance on how to select the right filter.

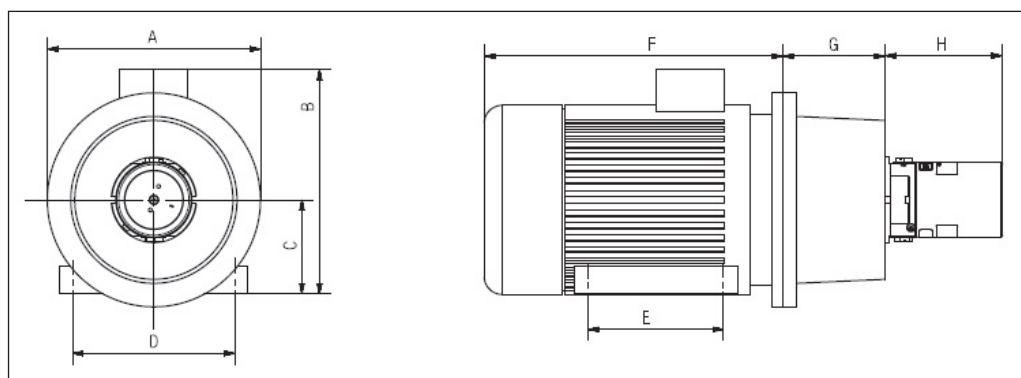
10. Dimensions

10.1 Pump



Description		APP 0.6 - APP1.0	
A	Port position, mm (in)	15.9 (0.63)	
B	Port position, mm (in)	15.9 (0.63)	
C	mm (in)	$\varnothing 88$ (3.5)	
D	mm (in)	131 (5.2)	
E	Parallel key, DIN 6885,	mm	$5 \times 5 \times 20$
		in	$0.20 \times 0.20 \times 0.78$
F	Bleeding	M6, Hexagon AF = 5 mm	
I	Inlet connection	BSP G $\frac{1}{2}$ "; 15 (0.59) deep	
O	Outlet connection	BSP G $\frac{1}{2}$ "; 15 (0.59) deep	
Pump mounting flange		SAE A 2	

10.2 Complete unit



Examples of different pump/motor sizes. Check required power:

Pump	A (mm)	B (mm)	C (mm)	D (mm)	E (mm)	F (mm)	G (mm)	H (mm)	IEC Electric motor
APP 0.6	200	245	90	140	100	265	100	131	1.5 kW, IEC 90S-2
APP 0.8	200	245	90	140	125	290	100	131	2.2 kW, IEC 90L-2
APP 1.0	250	260	100	160	140	325	120	131	3.0 kW, IEC 100L-2

11. Installation

11.1 Mounting

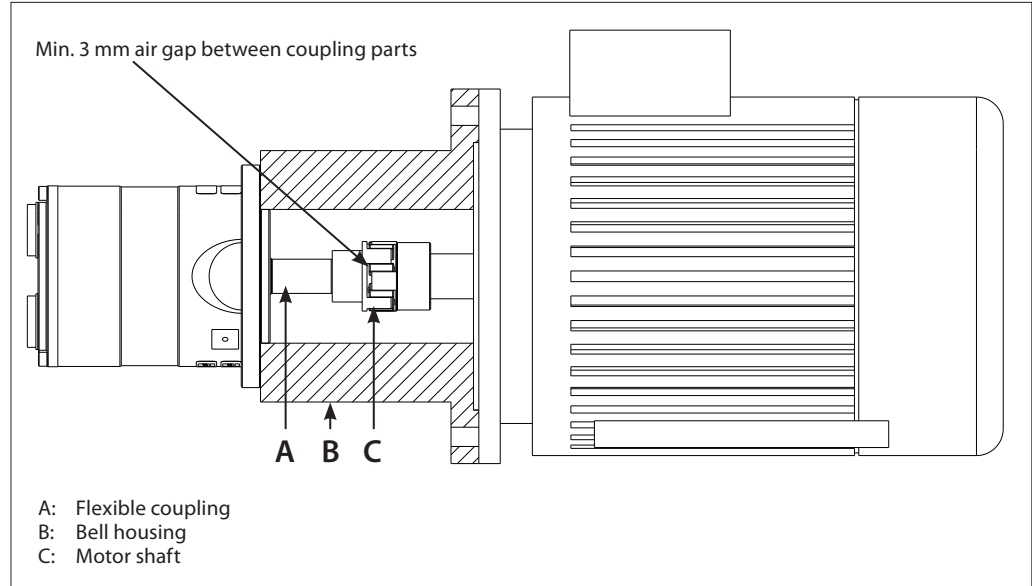
The figure below illustrates how to mount the pump and connect it to electric motor/ combustion engine.

If alternative mounting is required, please contact Danfoss Sales Organization for further information.

To ensure easy mounting of the flexible coupling without using tools, the tolerances must be dimensioned accordingly.

Note: Any axial and/or radial loads on the shaft must be avoided.

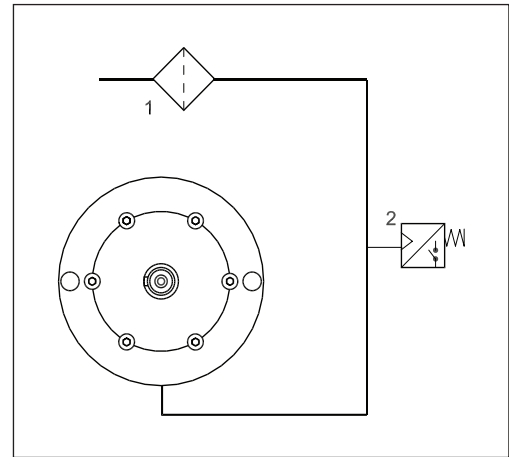
The pump should be connected to the rest of the plant with flexible hoses.



11.2 Open-ended system with direct water supply

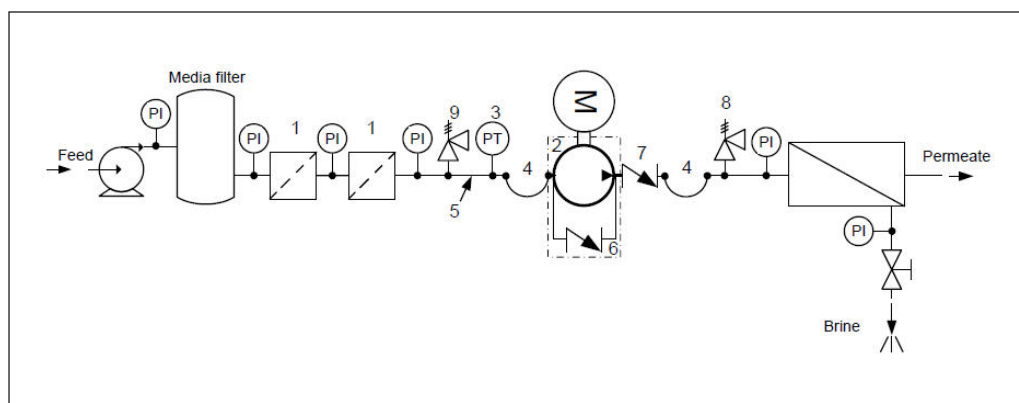
In order to eliminate the risk of cavitation, a positive inlet pressure is always to be maintained. Please see technical data (section 3) for specific pressure values.

1. Place the filter (1) in the water supply line in front of the pump.
2. Place a monitoring pressure switch (2) - set at min. inlet pressure - between filter and pump inlet. The monitoring switch must stop the pump at pressures lower than min. inlet pressure. Please see technical data (section 3) for specific pressure values.



11.3 RO system with APP pump

1. Dimension the inlet line to obtain minimum pressure loss (large flow, minimum pipe length, minimum number of bends/connections, and fittings with small pressure losses).
2. Place an inlet filter (1) in front of the APP pump (2). Please consult section 9, "Filtration" for guidance on how to select the right filter. Thoroughly clean pipes and flush system prior to start-up.
3. Place a monitoring pressure switch (3) set at min. inlet pressure between filter and pump inlet. The monitoring switch must stop the pump at pressures lower than minimum pressure.
4. Use flexible hoses (4) to minimize vibrations and noise.
5. In order to eliminate the risk of damage and cavitation, a positive pressure at the inlet (5) is always to be maintained at min. inlet pressure and max. inlet pressure.
6. For easy system bleeding and flushing, a bypass non-return valve (6) is integrated in the APP pump.
7. A non-return valve (7) in outlet can be installed in order to avoid backspin of the pump. The volume of water in the membrane vessel works as an accumulator and will send flow backwards in case of the pump stops momentarily.
8. A safety valve (8) can be installed in order to avoid system damage as the Danfoss APP pump creates pressure and flow immediately after start-up, regardless of any counter-pressure.



12. Service

12.1 Warranty

Danfoss APP pumps are designed for long operation, low maintenance and reduced lifecycle costs.

Provided that the pump has been running according to the Danfoss specifications, Danfoss guarantees 8,000 hours service-free operation, however, max. 18 months from date of production.

If Danfoss recommendations concerning system-design are not followed, it will strongly influence the life of the APP pumps.

12.2 Maintenance

After 8,000 hours of operation it is **strongly recommended to inspect the pump and change any worn parts, eg pistons and shaft seal.** This is done in order to prevent a potential breakdown of the pump.

If the parts are not replaced, more frequent inspection is recommended according to our guidelines.

Standstill:

The APP pumps are made of Duplex/Super Duplex materials with excellent corrosion properties. It is, however, always recommended to flush the pump with freshwater when the system is shut down.

12.3 Repair

In case of irregular function of the APP, please contact the Danfoss RO Solutions Sales Organisation.

Danfoss A/S
High Pressure Pumps
DK-6430 Nordborg
Denmark

Danfoss can accept no responsibility for possible errors in catalogues, brochures and other printed material. Danfoss reserves the right to alter its products without notice. This also applies to products already on order provided that such alterations can be made without subsequential changes being necessary in specifications already agreed. All trademarks in this material are property of the respective companies. Danfoss and the Danfoss logotype are trademarks of Danfoss A/S. All rights reserved.
