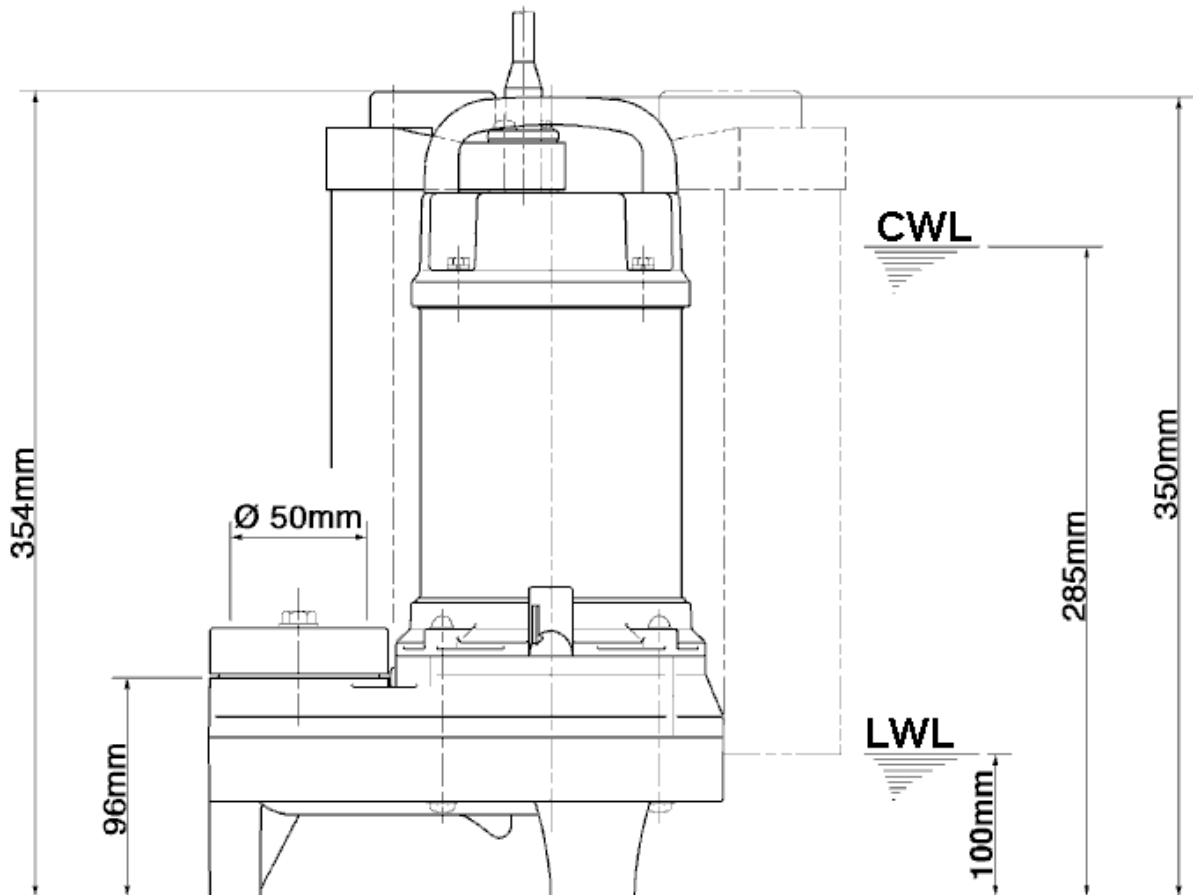
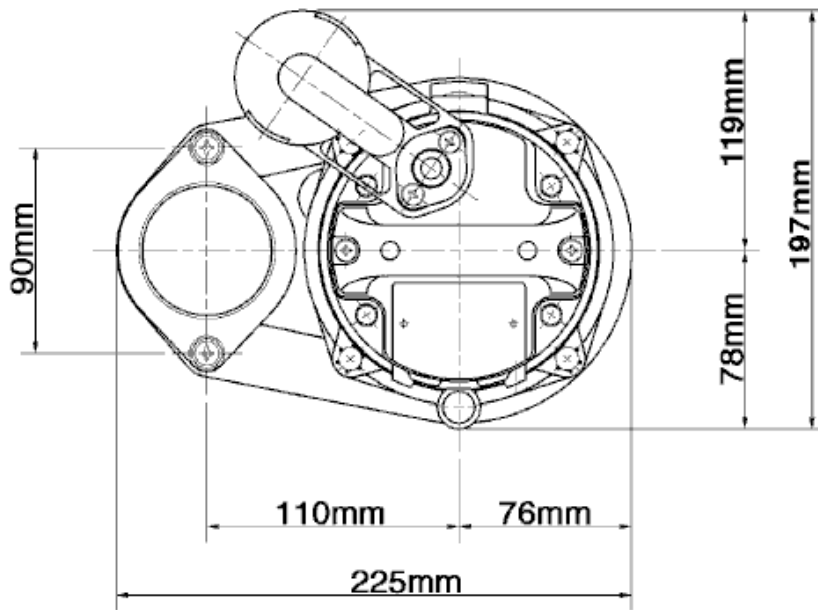


Dimensions



CWL: Continuous running water level
LWL: Lowest running water level